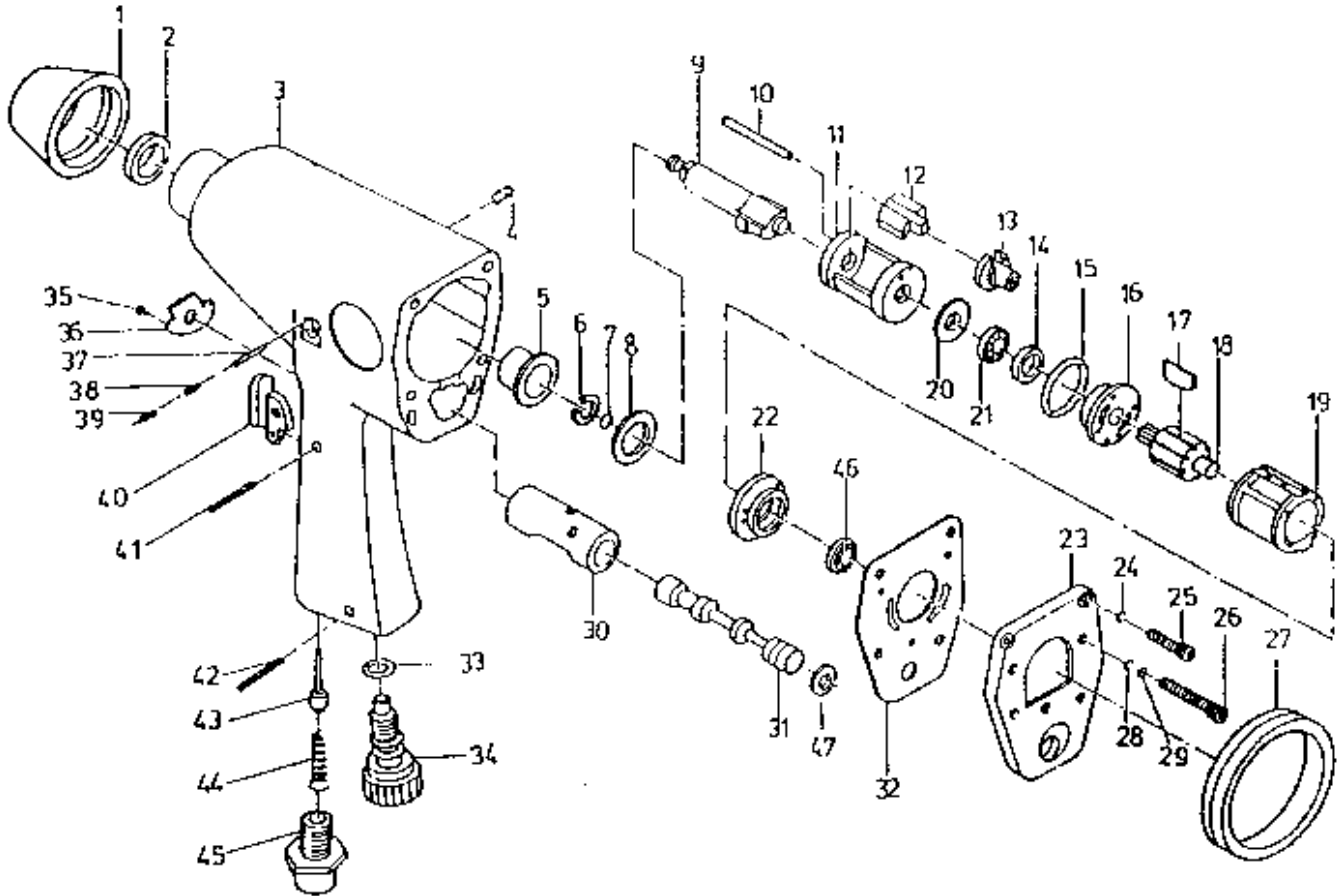


# 1015 3/4" IMPACT WRENCH

## EXPLODED VIEW



## PARTS LIST – FOR REFERENCE ONLY

Index Number	Part Number	Description	Qty.	Index Number	Part Number	Description	Qty.	Index Number	Part Number	Description	Qty.
1	28-0030	Protecting Rubber	1	17	28-0024	Rotor Blade	6*	33	00-4106	O-Ring	1*
2	00-4205	Seal	1*	18	28-0023	Rotor	1	34	28-0008	Air Regulator	1
3	28-0001	Housing	1	19	28-0025	Cylinder	1	35	00-0802	Screw	2
4	00-0614	Screw	1	20	28-0034	Washer	1	36	28-0012	Exhaust Deflector	1
5	28-0014	Anvil Bushing	1	21	00-2312	Ball Bearing	1	37	28-0009	Pin	1
6	28-0016	Anvil Collar	1*	22	28-0026	Rear Plate	1	38	25-1031	Spring	1*
7	00-4118	O-Ring	1*	23	28-0028	Rear Cover	1	39	00-0610	Screw	1
8	28-0017	Spacer	1	24	00-1803	Washer	4	40	28-0004	Trigger	1
9	28-0015	Anvil	1	25	00-0119	Screw	4	41	00-3301	Pin	1
10	28-0019	Hammer Pin	1	26	00-0110	Screw	3	42	00-3305	Pin	1
11	28-0018	Hammer Cage	1	27	28-0031	Rear Rubber	1	43	28-0005	Valve Stem	1*
12	28-0020	Hammer	1	28	00-1802	Washer	3	44	28-0011	Spring	1*
13	28-0021	Cam	1	29	00-4111	O-Ring	1	45	25-1010	Hose Adapter	1
14	00-4206	Seal	1*	30	28-0002	Valve Sleeve	1	46	00-2313	Ball Bearing	1
15	00-4108	O-Ring	1*	31	28-0003	Reverse Valve	1	47	00-4114	O-Ring	1
16	28-0022	Front Plate	1	32	28-0027	Rear Gasket	1*				

### TECHNICAL DATA

	Max Air Pressure	Recommended Air Hose Size	RPM Free Speed	Max Air Flow CFM	Weight (lbs.)
1015	90 psi	3/8"	4,500	28	10.5

### FOOTNOTES

\* Parts Available In Repair Kit 1015-RK\*



When ordering spare parts, please specify tool type, part number and description

10000 SE PINE, PORTLAND, OR 97216  
503-254-1749 FAX 503-256-4026

REVISED 7/99