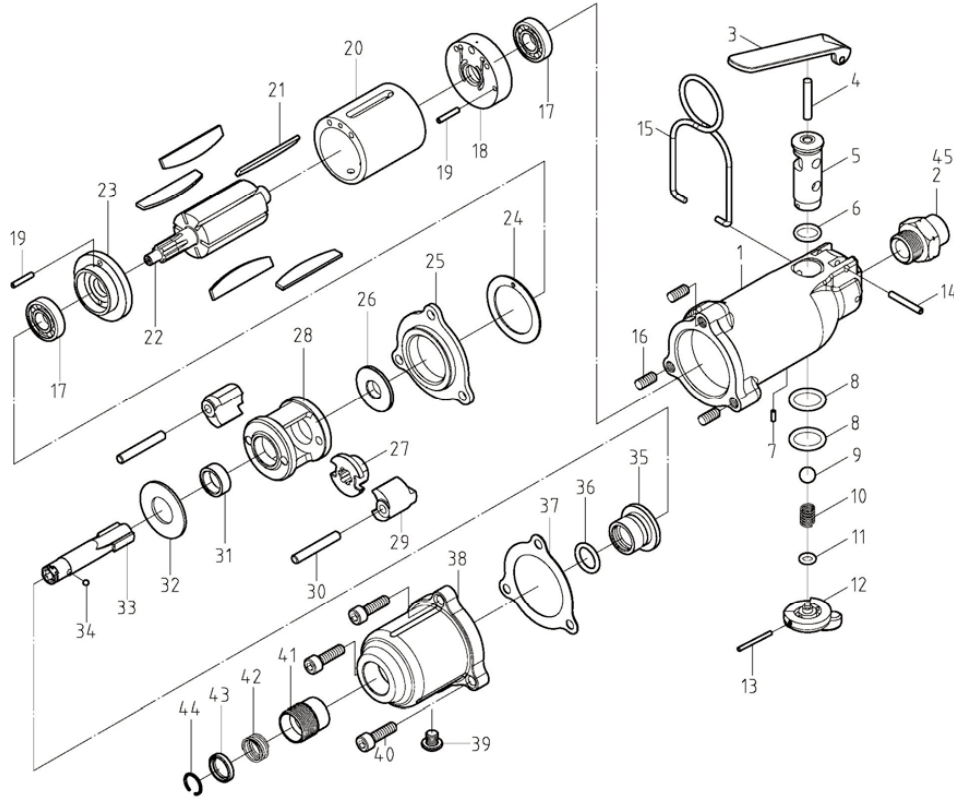


1560 TWIN HAMMER IMPACTING SCREWDRIVER 1/4"

EXPLODED VIEW



PARTS LIST — FOR REFERENCE ONLY

Index Number	Part Number	Description	Qty.	Index Number	Part Number	Description	Qty.
1	001011019	Housing	1	25	059011019	Separator	1
2	005011019	Air Inlet	1	26	019011019	Anvil Rear Spacer	1
3	030011014	Trigger	1	27	021011013	Hammer Cam	1
4	010011019	Pin Valve Rod	1	28	020011013	Hammer Cage	1
5	009011019	Reverse Valve	1	29	022011013	Hammer	2
6	ORP10	O-Ring	1	30	023011013	Hammer Pin	2
7	PIN2006	Pin	1	31	018011013	Bushing	1
8	ORP14	O-Ring	2	32	024011013	Anvil Front Spacer	1
9	SB5/16-S	Steel Ball	1	33	025011013	Anvil	1
10	002011019	Cone Spring	1	34	SB1/8	Steel Ball	1
11	ORP4	O-Ring	1	35	026011019	Bushing	1
12	031011010	Reverse Lever	1	36	ORP12-2	O-Ring	1
13	SP2022	Spring Pin	1	37	061011019	Packing	1
14	SP3022	Spring Pin	1	38	027011019	Front Casing	1
15	006011011	Suspension Ring	1	39	SC30606	Screw	1
16	HS0515	Heli Sert	3	40	SC10518	Screw	3
17	BRR6	Ball Bearing	2	41	028011011	Bit Sleeve	1
18	011011019	Rear Plate	1	42	007021011	Spring	1
19	SP2514	Spring Pin	2	43	018021011	Bushing	1
20	012011019	Cylinder	1	44	029011011	Snap Ring	1
21	014011019	Blade	6				
22	013011019	Rotor	1				
23	015011019	Front Plate	1				
24	016011019	Washer	1				

FOOTNOTES



10000 SE Pine Street
Portland, OR 97216
503-254-6600
FAX 503-255-2615

When ordering spare parts, please specify
tool type, part number and description.