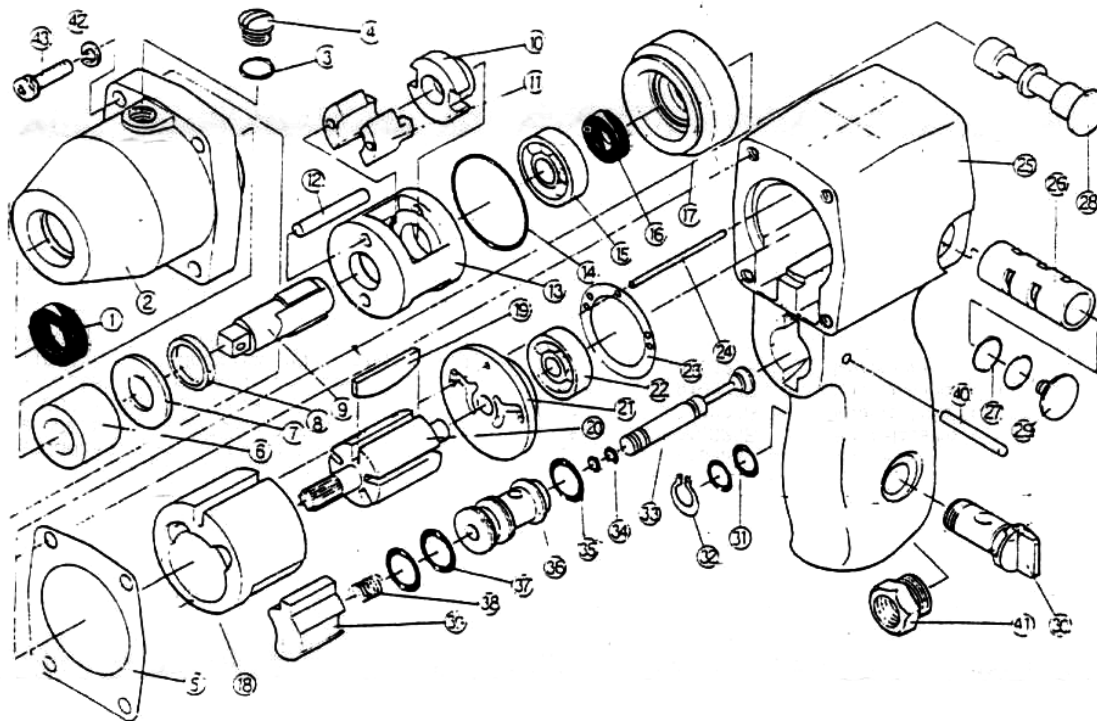


2040B 1/4" DRIVE IMPACT WRENCH

EXPLODED VIEW



PARTS LIST — FOR REFERENCE ONLY

| Index Number | Part Number | Description | Qty | Index Number | Part Number | Description | Qty. |
|--------------|-------------|----------------------------|-----|--------------|-------------|-------------------------|------|
| 1 | 910301 | Housing Oil Seal | 1 | 25 | 910325B | Motor Housing | 1 |
| 2 | 9103029 | Housing Cover | 1 | 26 | 910326B | Reverse Valve Bushing | 1 |
| 3 | 9103038 | Oil Screw O-ring | 1 | 27 | 910327B | Valve Bushing O-ring | 1 |
| 4A | 9103048 | Oil Screw | 1 | 28 | 910328B | Reverse Valve | 1 |
| 5A | 9103058 | Housing Cover Gasket | 1 | 29 | 910329B | Reverse Valve Screw | 1 |
| 6 | 910305 | Motor Housing Bushing | 1 | 30 | 910330B | Air Regulator | 1 |
| 7 | 910307 | Washer | 1 | 31 | 910331B | Regulator O-ring | 2 |
| 8 | 910308 | Hammer Cage Collar | 1 | 32 | 910332B | Outer Snap Ring | 1 |
| 9 | 910309 | Anvil | 1 | 33 | 910333B | Throttle Valve | 1 |
| 10 | 910310 | Hammer Cam | 1 | 34 | 910334B | Throttle Valve O-ring | 2 |
| 11 | 910311 | Dog | 2 | 35 | 910335B | Valve Bushing O-ring | 1 |
| 12 | 910312 | Hammer Cage Pin | 2 | 36 | 910336B | Valve Bushing | 1 |
| 13 | 910313 | Hammer Cage | 1 | 37 | 910337B | Valve Bushing O-ring | 1 |
| 14 | 940314 | Front End Plate O-ring | 1 | 38 | 910338B | Throttle Valve Spring | 1 |
| 15 | 910315 | Front Rotor Ball Bearing | 1 | 39 | 910339B | Trigger | 1 |
| 16 | 910316 | Front Rotor Plate Oil Seal | 1 | 40 | 910348B | Trigger Pin | 2 |
| 17 | 910317 | Frone End Plate | 1 | 41 | 910431B | Air Inlet Bushing | 2 |
| 18 | 910318 | Cylinder | 1 | 42 | 910342B | Motor Screw Lock Washer | 4 |
| 19 | 910319 | Rotor Blade | 5 | 43 | 910343B | Motor Screw | 4 |
| 20 | 910320 | Rotor | 1 | | | | |
| 21 | 910321 | Rear End Plate | 1 | | | | |
| 22 | 910322 | Rear Rotor Ball Bearing | 1 | | | | |
| 23 | 910323B | Motor Gasket | 1 | | | | |
| 24 | 910324 | Motor Pin | 1 | | | | |

FOOTNOTES



10000 SE Pine Street
Portland, OR 97216
503-254-6600
FAX 503-255-2615

When ordering spare parts, please specify
tool type, part number and description.