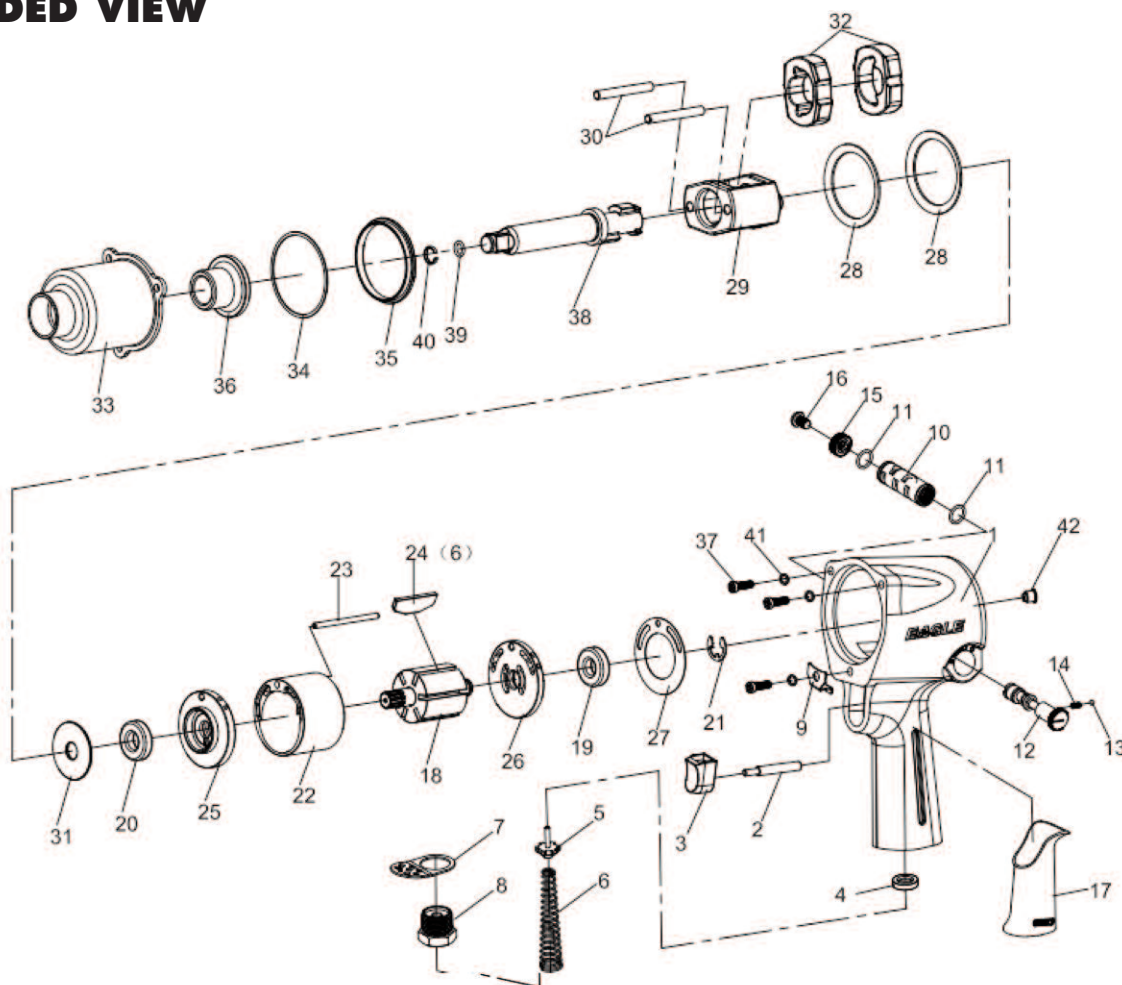


# 2225L 1/2" IMPACT WRENCH, EXTENDED LENGTH ANVIL

## EXPLODED VIEW



### PARTS LIST — FOR REFERENCE ONLY

Index Number	Part Number	Description	Qty.	Index Number	Part Number	Description	Qty.	Index Number	Part Number	Description	Qty.
1	2225L-1	Housing	1	18	2225L-18	Rotor	1	35	2225L-35	Hammer Case Pilot	1
2	2225L-2	Trigger Shaft	1	19	2225L-19	Front Rotor Bearing	1	36	2225L-36	Hammer Cage Bushing	1
3	2225L-3	Trigger	1	20	2225L-20	Rear Rotor Bearing	1	37	2225L-37	Cap Screw	3
4	2225L-4	Valve Seat	1	21	2225L-21	Retainer Ring	1	38	2225L-38	2" Anvil	1
5	2225L-5	Throttle Valve	1	22	2225L-22	Cylinder	1	39	2225L-39	O-Ring	1
6	2225L-6	Valve Spring	1	23	2225L-23	Dowel Pin	1	40	2225L-40	Socket Reatiner	1
7	2225L-7	Exhaust Deflector	1	24	2225L-24	Rotor Blade	6	41	2225L-41	Spring Washer	3
8	2225L-8	Air Inlet	1	25	2225L-25	Front End Plate	1	42	2225L-42	Oil Window	1
9	2225L-9	Fixed Plate	1	26	2225L-26	Rear End Plate	1				
10	2225L-10	Reverse Valve Bushing	1	27	2225L-27	Gasket	1				
11	2225L-11	O-Ring	2	28	2225L-28	Washer	2				
12	2225L-12	Reverse Valve	1	29	2225L-29	Hammer Cage	1				
13	2225L-13	Steel Ball	1	30	2225L-30	Hammer Pin	2				
14	2225L-14	Spring	1	31	2225L-31	Washer	1				
15	2225L-15	Valve Knob	1	32	2225L-32	Hammer	2				
16	2225L-16	Screw	1	33	2225L-33	Protector Cover	1				
17	2225L-17	Plastic Grip	1	34	2225L-34	Gasket	1				

#### FOOTNOTES

10000 SE Pine Street  
Portland, OR 97216  
503-254-6600  
FAX 503-255-2615

When ordering spare parts, please specify  
tool type, part number and description.