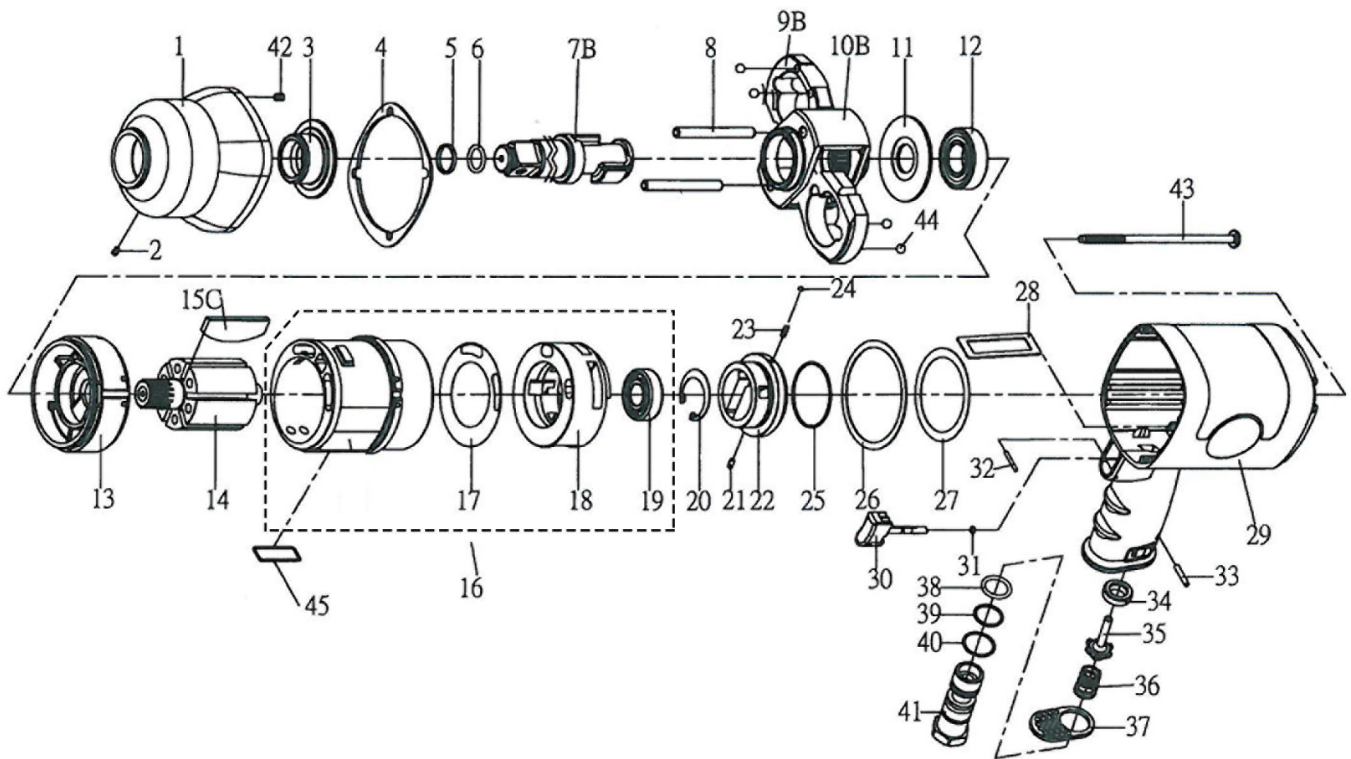


2375EC 3/4" AIR IMPACT WRENCH

EXPLODED VIEW



PARTS LIST — FOR REFERENCE ONLY

Index Number	Part Number	Description	Qty.	Index Number	Part Number	Description	Qty.	Index Number	Part Number	Description	Qty.
1	278F-002	Hammer Case	1	16	278F-006-B	Cylinder Kit	1	31	00-4101	O-Ring	1
2	00-4603	Grease Fitting	1	17		Valve Sleeve Gasket	1	32	00-3326	Spring Pin	1
3	278F-010	Anvil Bushing	1	18		Valve Sleeve	1	33	00-3308	Spring Pin	1
4	278F-020	Front Gasket	1	19		Ball Bearing 6202	1	34	306-027-B	Bushing	1
5	280-028	Anvil Collar	1	20	00-3111	Snap Ring	1	35	306-026	Valve Stem	1
6	00-4175	O-Ring	1	21	00-3345	Spring Pin	1	36	305F-026-B	Spring	1
7B	278D-011A6	Anvil	1	22	278F-021	Reverse Valve	1	37	278F-034	Exhaust Deflector	1
8	285C-016	Hammer Pin	2	23	305F-034	Spring	1	38	00-4126	O-Ring	1
9B	278D-017	Hammer	2	24	00-3805	Steel Ball	1	39	00-4143	O-Ring	1
10B	278D-012	Hammer Cage	1	25	00-4179	O-Ring	1	40	00-4127	O-Ring	1
11	278-019-B	Rear Washer	1	26	278F-030	Rear Gasket	1	41	278F-025C	Air Inlet (3/8" NPT-18)	1
12	00-2325	Ball Bearing	1	27	278F-031	Washer	1	42	00-4306	Inserts Recoil	4
13	278F-005	Front End Plate	1	28	278F-019	Air Channel Gasket	1	43	278F-028	Screw	4
14	278F-007	Rotor	1	29	278F-001	Motor Housing	1	44	00-3821	Steel Ball	4
15C	278H-008D	Rotor Blade	6	30	305F-024-C	Trigger	1	45	278F-041	Square Ring	1

FOOTNOTES

EAGLE GROUP
A Division of AIMCO

10000 SE PINE
PORTLAND, OR 97216
503-254-6600
FAX 503-255-2615

When ordering spare parts, please specify tool type, part number, and description

REVISED 09-16