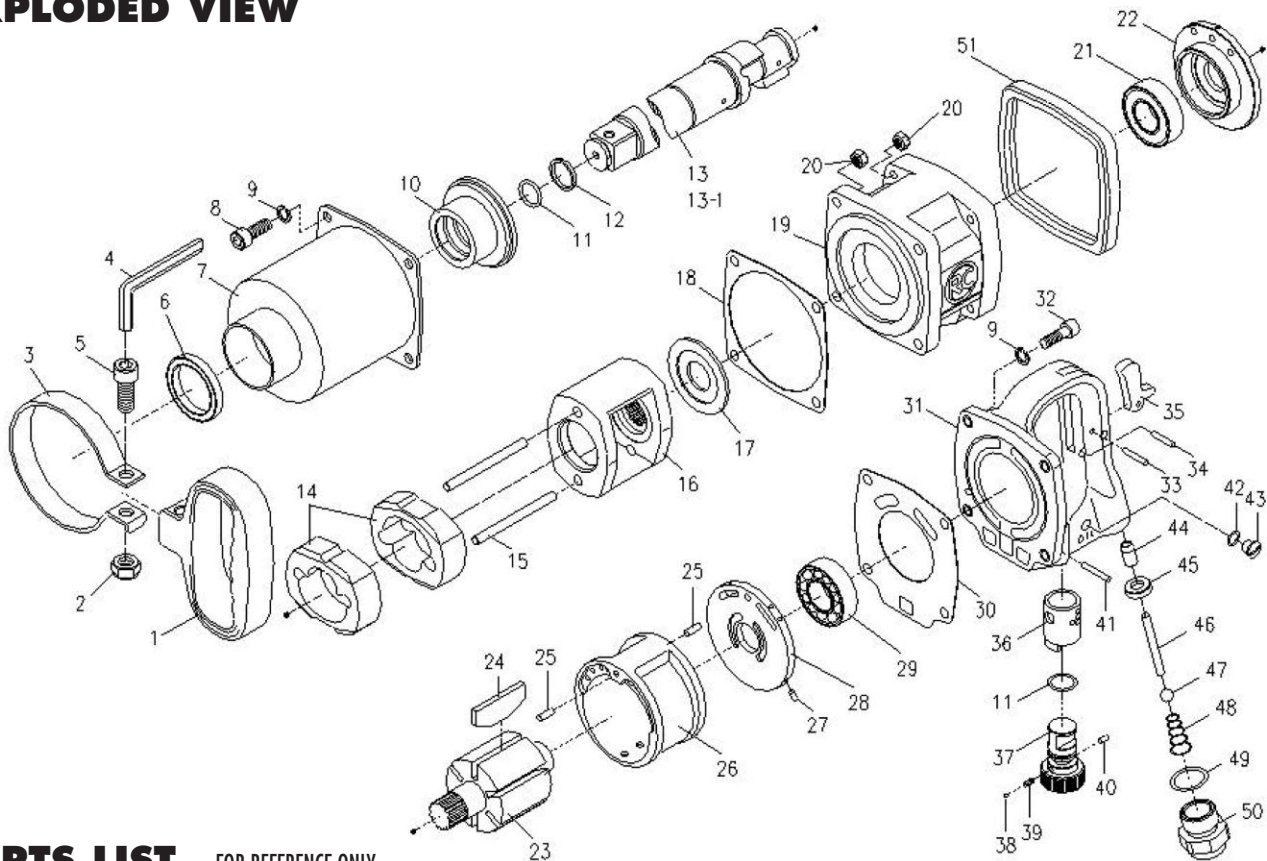


# 2453/2463 IMPACT WRENCH 1"

## EXPLODED VIEW



## PARTS LIST — FOR REFERENCE ONLY

Index Number	Part Number	Description	Qty	Index Number	Part Number	Description	Qty.
1	RC2453A-01	Handle	1	29	RC2453A-29RK	Ball Bearing	1
2	RC2453A-02	Lock Nut	1	30	RC2453A-30TK	Rear Gasket	1
3	RC2453A-03	Clamp	1	31	RC2453A-31	Handle Frame	1
4	RC2453A-04	Hex.Wrench	1	32	RC2453A-32	Cap Screw	4
5	RC2453A-05	Cap Screw	1	33	RC2453A-33	Spring Pin	1
6	RC2453A-06	Oil Seal	1	34	RC2453A-34	Pin	1
7	RC2453A-07	Hammer Case	1	35	RC2453A-35	Inner Trigger	1
8	RC2453A-08	Cap Screw	4	36	RC2453A-36	Reverse Valve Bushing	1
9	RC2453A-09	Spring Washer	8	37	RC2453A-37	Reverse Valve	1
10	RC2453A-10	Bushing	1	38	RC2453A-38TK	Steel Ball	1
11	RC2453A-11TK	O-Ring	1	39	RC2453A-39TK	Spring	1
12	RC2453A-12RK	Anvil Collar	1	40	RC2453A-40TK	Spring Pin	1
13	RC2453A-13RK	Anvil 2" Acc.882435	1	41	RC2453A-41TK	Spring Pin	1
13-1	RC2463A-13RK	Anvil 6"	* 1	42	RC2453A-42TK	O-Ring	1
14	RC2453A-14RK	Hammer	2	43	RC2453A-43	Oil Chamber Screw	1
15	RC2453A-15RK	Hammer Pin	2	44	RC2453A-44	Valve Bushing	1
16	RC2453A-16	Hammer Cage	1	45	RC2453A-45	Bushing	1
17	RC2453A-17	Rear Washer	1	46	RC2453A-46	Valve Stem	1
18	RC2453A-18TK	Front Gasket	1	47	RC2453A-47TK	Steel Ball	1
19	RC2453A-19	Motor Housing	1	48	RC2453A-48TK	Spring	1
20	RC2453A-20	Lock Nut	8	49	RC2453A-49TK	O-Ring	1
21	RC2453A-21RK	Ball Bearing	1	50	RC2453A-50	Air Inlet	1
22	RC2453A-22	Front End Plate	1	51	RC2453A-51RK	Housing Band	1
23	RC2453A-23	Rotor	1		RC2453A-RK	Repair Kit 12, 13, 13-1, 14, 15, 21, 29, 51	
24	RC2453A-24TK	Rotor Blade	6		RC2453A-TK	Tune up kit 11, 18, 24, 30, 38, 39, 40, 41, 42, 47, 48, 49	
25	RC2453A-25	Spring Pin	2				
26	RC2453A-26	Cylinder	1				
27	RC2453A-27	Spring Pin	1				
28	RC2453A-28	Rear End Plate	1				

### FOOTNOTES

\* 2463

Tune Up Kit: includes all parts having "TK" at the end.

Repair Kit: includes all parts having "TK" and "RK" at the end.

# EAGLE

10000 SE Pine Street  
Portland, OR 97216  
503-254-6600  
FAX 503-255-2615

When ordering spare parts, please specify  
tool type, part number and description.

REVISED 10/07