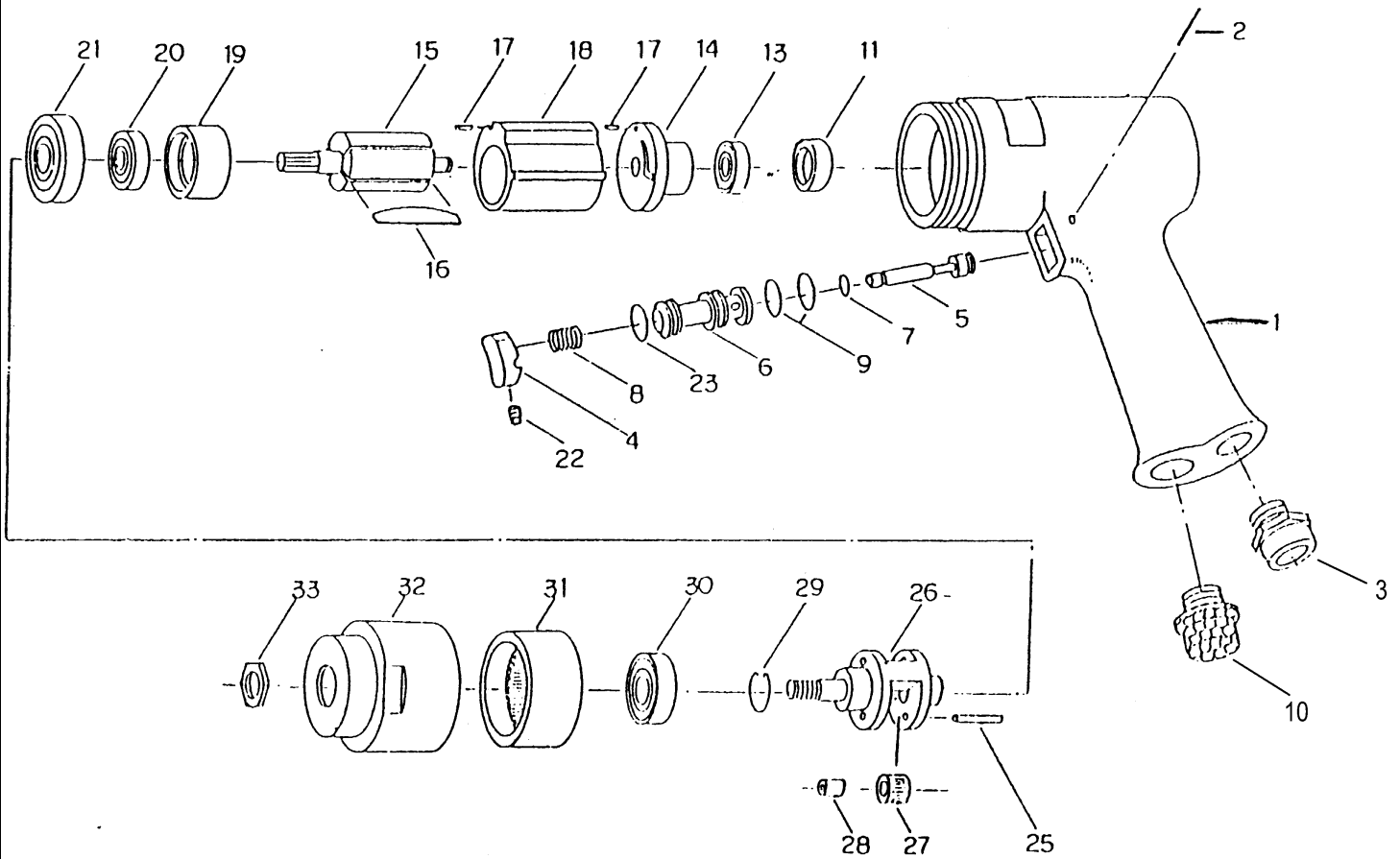


# 3001A 3/8" DRILL

## EXPLODED VIEW



## PARTS LIST – FOR REFERENCE ONLY

Index Number	Part Number	Description	Qty.	Index Number	Part Number	Description	Qty.	Index Number	Part Number	Description	Qty.
1	SM-70201	Motor Housing	1	13	SM-70213	Ball Bearing	1	23	SM-70223	O Ring	1
2	SM-70202	Pin	1	14	SM-70214	Rear Plate	1	25	SM-70224	Planet Pin	2
3	SM-70203	Air Intake Bushing	1	15	SM-70215	Rotor	1	26	SM-70226	Planet Cage	1
4	SM-70204	Trigger	1	16	SM-70216	Rotor Blades	4	27	SM-70227	Planet Gears	2
5	SM-70205	Valve Stem	1	17	SM-70217	Pin	2	28	SM-70228	Bushing	2
6	SM-70206	Valve Bushing	1	18	SM-70218	Cylinder	1	29	SM-70229	Retaining Ring	1
7	SM-70207	O Ring	1	19	SM-70219	Front End Plate	1	30	SM-70230	Ball Bearing	1
8	SM-70208	Spring	1	20	SM-70220	Ball Bearing	1	31	SM-70231	Internal Gear	1
9	SM-70209	O Ring	2	21	SM-70221	Ball Bearing	1	32	SM-70232	Front Housing	1
10	SM-70210	Muffler Diffuser	1	22	SM-70222	Set Screw	1	33	SM-70233	Chuck Spacer	1
11	SM-70211	Bearing Cap	1								

### TECHNICAL DATA

	Max Air Pressure	Recommended Air Hose Size	RPM Free Speed	Max Air Flow CFM	Weight (lbs.)
3001A	90 psi	3/8"	2,000	16	2.5

### FOOTNOTES

\* Parts Available in Repair Kit 3001A-RK\*



When ordering spare parts, please specify tool type, part number and description

10000 SE PINE, PORTLAND, OR 97216  
503-254-1749 FAX 503-256-4026

REVISED 12/99