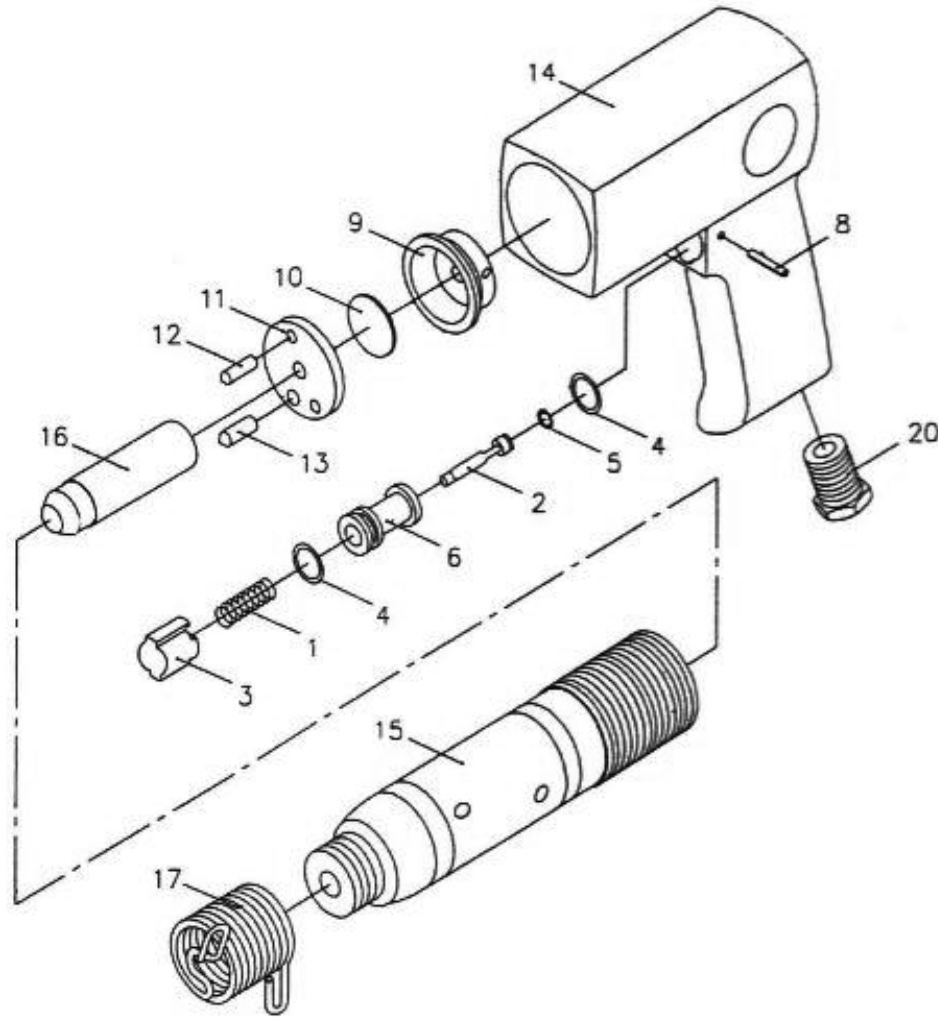


4001 AIR HAMMER

EXPLODED VIEW



IMPORTANT

Failure to comply with the following will result in damage to the tool. On a new chipper, the threads will stretch slightly. You must re-tighten a new chipping hammer handle after 2-3 shifts of usage.

PARTS LIST — FOR REFERENCE ONLY

Index Number	Part Number	Description	Qty.	Index Number	Part Number	Description	Qty.
1	302-01	Spring-Valve	1	10	302-10	Disk-Valve	1 ●
2	302-02	Throttle-Valve	1	11	302-11	Case Valve	1
	302-02A	Throttle Valve Assy.		12	302-12	Dowel Valve Case (Large)	1
3	302-03	Button-Throttle	1	13	302-13	Dowel Valve Case (Small)	1
4	302-04	O-Ring	2 ●	14	302-14	Handle	1
5	302-05	O-Ring	1 ●	15	302-15	Barrel Length 6 3/4"	1
6	302-06	Bushing-Valve	1	16	302-16	Piston	1
7	302-07	Stem-Throttle Valve	1	17	302-17	Retainer Zip Change	1
8	302-08	Pin-Grooved	1				
9	302-09	Lid-Valve Case	1				

FOOTNOTES

● = Items in Repair Kit 4001-RK

EAGLE
GROUP
A Division of AIMCO

10000 SE PINE
PORTLAND, OR 97216
503-254-6600
FAX 503-255-2615

When ordering spare parts, please specify
tool type, part number, and description

REVISED 09/19