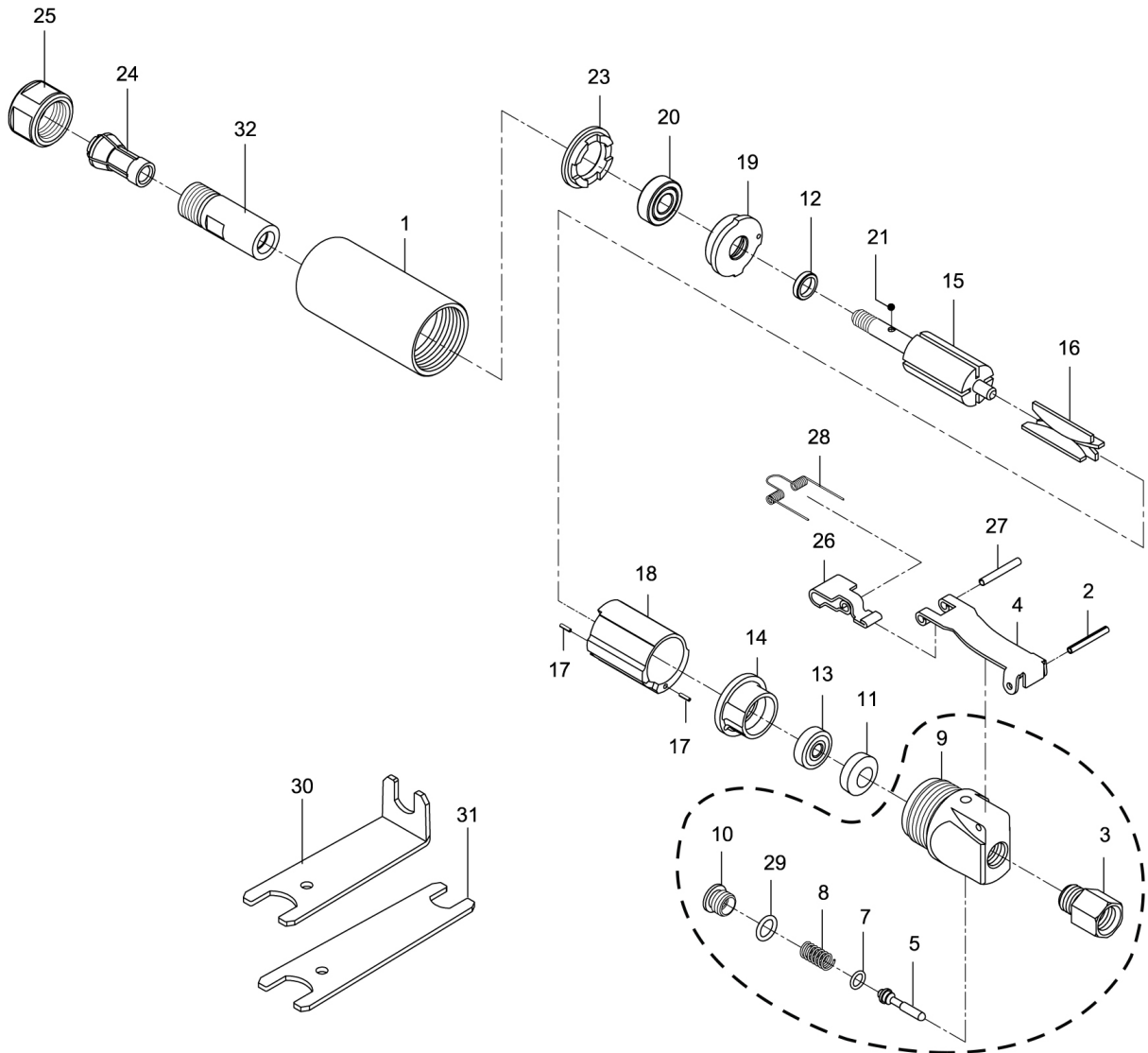


5001 1/4" STEEL DIE GRINDER

EXPLODED VIEW



PARTS LIST — FOR REFERENCE ONLY

Index Number	Part Number	Description	Qty.	Index Number	Part Number	Description	Qty.	Index Number	Part Number	Description	Qty.
1	50101	Rotor Case	1	4	50104	Lever	1	24	51224	Collet Body	1
2	50102	Spring Pin	1	11	30111	End Cap Plate	1	25	51225	Collet Nut	1
	50109-108SUB	Handle/Throttle/ Air Inlet Assembly (parts available in kit only)	1	12	50112	Rotor Bushing	1	26	50126	Safety Lever	1
3		Air Inlet	1	13	982-081-0	Ball Bearing	1	27	50127	Spring Pin	1
5		Throttle Valve	1	14	30114	Top Plate	1	28	50128	Safety Lever Spring	1
7		O-Ring	1	15	50115C	Rotor	1	30	51227	Angle Double Ended Spanner	1
8		Throttle Spring	1	16	30116	Vanes	4	31	51228	Double Ended Spanner	1
9		Handle	1	17	30117	Lock Pin	2	32	51222	Spindle	1
10		Plug	1	18	30118	Cylinder	1				
29		O-Ring	1	19	50119C	Bottom Plate	1				
				20	982-045-0	Ball Bearing	1				
				21	40145	Steel Ball	1				
				23	50123	Collar	1				

EAGLE
GROUP
A Division of AIMCO

10000 SE PINE
PORTLAND, OR 97216
503-254-6600
FAX 503-255-2615

When ordering spare parts, please specify
tool type, part number, and description

FOOTNOTES