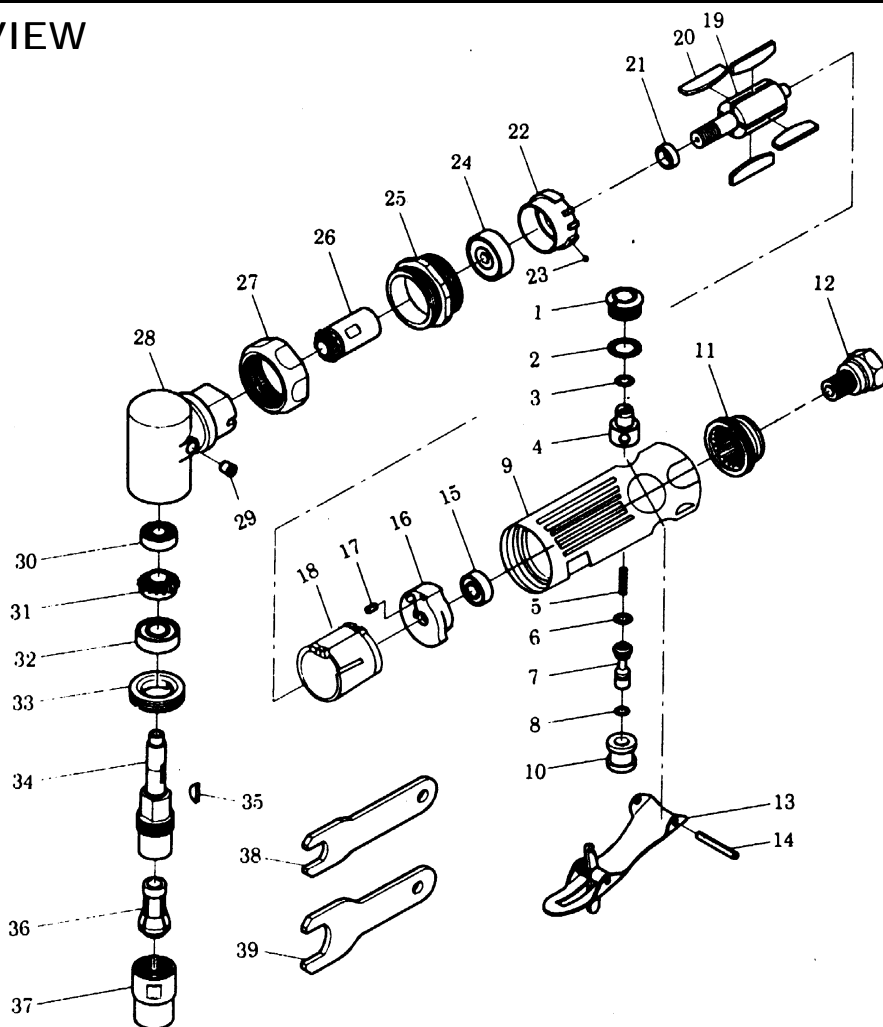


5003B ANGLE DIE GRINDER

EXPLODED VIEW



PARTS LIST – FOR REFERENCE ONLY

Index Number	Part Number	Description	Qty.	Index Number	Part Number	Description	Qty.	Index Number	Part Number	Description	Qty.
1	5003B-01	PLUG SCREW	1	14	5003B-14	LEVER PIN	1	27	5003B-27	CAP	1
2	5003B-02	O-RING	1	15	5003B-15	BEARING	1	28	5003B-28	ANGLE HEAD HOUSING	1
3	5003B-03	O-RING	1	16	5003B-16	BEARING PLATE	1	29	5003B-29	GREASE CAP	1
4	5003B-04	AIR REGULATOR	1	17	5003B-17	LOCATING PIN	2	30	5003B-30	REAR SPINDLE BEARING	1
5	5003B-05	VALVE SPRING	1	18	5003B-18	CYLINDER	1	31	5003B-31	SPINDLE GEAR	1
6	5003B-06	O-RING	1	19	5003B-19	ROTOR	1	32	5003B-32	BEARING	1
7	5003B-07	VALVE STEM	1	20	5003B-20	ROTOR BLADE	4	33	5003B-33	CLAMP NUT	1
8	5003B-08	O-RING	1	21	5003B-21	ROTOR COLLAR	1	34	5003B-34	SPINDLE	1
9	5003B-09	MOTOR HOUSING	1	22	5003B-22	BEARING PLATE	1	35	5003B-35	WOODRUFF KEY	1
10	5003B-10	VALVE BUSHING	1	23	5003B-23	BALL	1	36	5003B-36	COLLET	1
11	5003B-11	MUFFLER	1	24	5003B-24	BEARING	1	37	5003B-37	COLLET NUT	1
12	5003B-12	AIR INLET	1	25	5003B-25	LOCK RING	1	38	5003B-38	WRENCH (11mm)	1
13	5003B-13	LEVER	1	26	5003B-26	PINION GEAR	1	39	5003B-39	WRENCH (17mm)	1

TECHNICAL DATA

	Max Air Pressure	Recommended Air Hose Size	RPM Free Speed	Max Air Flow CFM	Weight (lbs.)
5003B	90 psi	3/8"	20,000	10	1.0

FOOTNOTES

When ordering spare parts, please specify tool type, part number and description

10000 SE PINE, PORTLAND, OR 97216
503-254-1749 FAX 503-256-4026

REVISED 7/99

