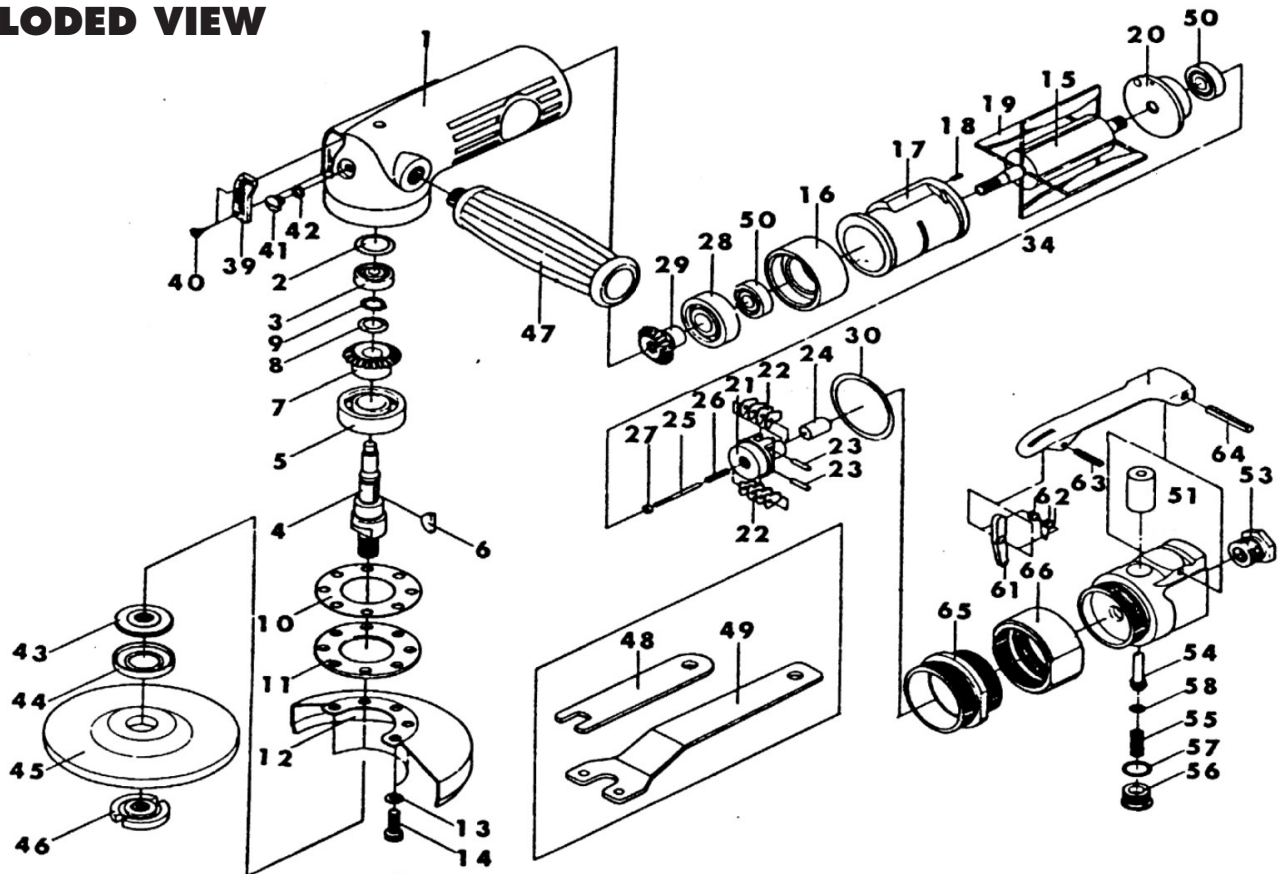


5007 5" ANGLE GRINDER

EXPLODED VIEW



PARTS LIST — FOR REFERENCE ONLY

Index Number	Part Number	Description	Qty.	Index Number	Part Number	Description	Qty.	Index Number	Part Number	Description	Qty.
1	DG-40001	Motor Housing	1	23	SP-30120	Spring Pin	2 ■	54	DG-40054	Valve Stem	1
2	DG-40002	Seal Plate	1	24	DC-40024	Plunger	1 ■	55	DG-40055	Valve Spring	1 ●
3	982-021-0	Ball Bearing (626)	1	25	DG-40025	Adj. Screw	1 ■	56	DG-40056	Throttle Lever Plug	1
4	DG-40004	Arbor	1	26	DG-40026	Spring	1 ■	57	ORP-0120	O-Ring	1 ●
5	BB-62022	Ball Bearing	1	27	DG-40027	Adjust Nut	1 ■	58	DG-40058	O-Ring	1
6	WK-0313A	Woodruff Key	1	28	BB-62012	Ball Bearing	1	59	DG-40059	Throttle Lever	1
7	DG-40007	Bevel Gearing	1	29	DG-40029	Bevel Pinion	1	61	DG-40061	Throttle Lever Lock	1
8	WW-0010	Wave Washer	1	30	DG-40030	O-Ring	1 ●	62	DG-40062	Torsion Spring	1
9	STW-010	External Stop Ring	1	39	DG-40039	Exhaust Deflector	1	63	SP-30175	Spring Pin	1
10	DG40010	Gasket	1	40	T2-30088	Tapping Screw	2	64	SP-40300	Spring Pin	1
11	DG-40011	Retainer	1	41	PG-38043	Plug	1 ●	65	DG-40065	Lock Ring	1
12	DG-40012-5	Center Wheel Guard	1	42	ORP-0040	O-Ring	1	66	DG-40066	Coupling Nut	1
13	SW1-0512A	Spring Washer	5	43	AG-50052	Flap	1				
14	B2-0512A	Hex Socket Head Cap Bolt	5	44	AG-50053	Flange Rubber Shield	1				
15	DG-40015	Rotor	1	45	AG-50059	Grinding Wheel	1				
16	DG-40016	Front end Plate	1	46	AG-50054	Flange Nut	1				
17	VP-70017	Cylinder	1	47	AP-70047	Handle	1				
18	SP-30060	Spring Pin	1 ●	48	DG-40048	Wrench (A)	1				
19	VP-70014	Rotor Blade	4 ●	49	AG-30058	Wrench (B)	1				
20	VP-70013	Rear End Plate	1	50	BB-06082	Ball Bearing	2				
21	DG-40021	Governor	1 ■	51	DG-40051	Throttle Valve Housing/Bushing	1				
22	DG-40022	Pendulum	8 ■	53	AR-38001	Air inlet Bushing	1				

ACCESSORIES

400-78	5/8-11 Threaded Adapter	1
GA-3495	Adapter wheels for 3/8" hubbed wheel.	1
GA-3588	Wheel nuts for 3/8" hubbed wheel	1

FOOTNOTES

- = Items in Repair Kit 5006-RK
- = Items in Governor Assembly Kit 5006-GA

EAGLE GROUP
A Division of AIMCO

10000 SE PINE
PORTLAND, OR 97216
503-254-6600
FAX 503-255-2615

When ordering spare parts, please specify tool type, part number, and description

REVISED 05/16