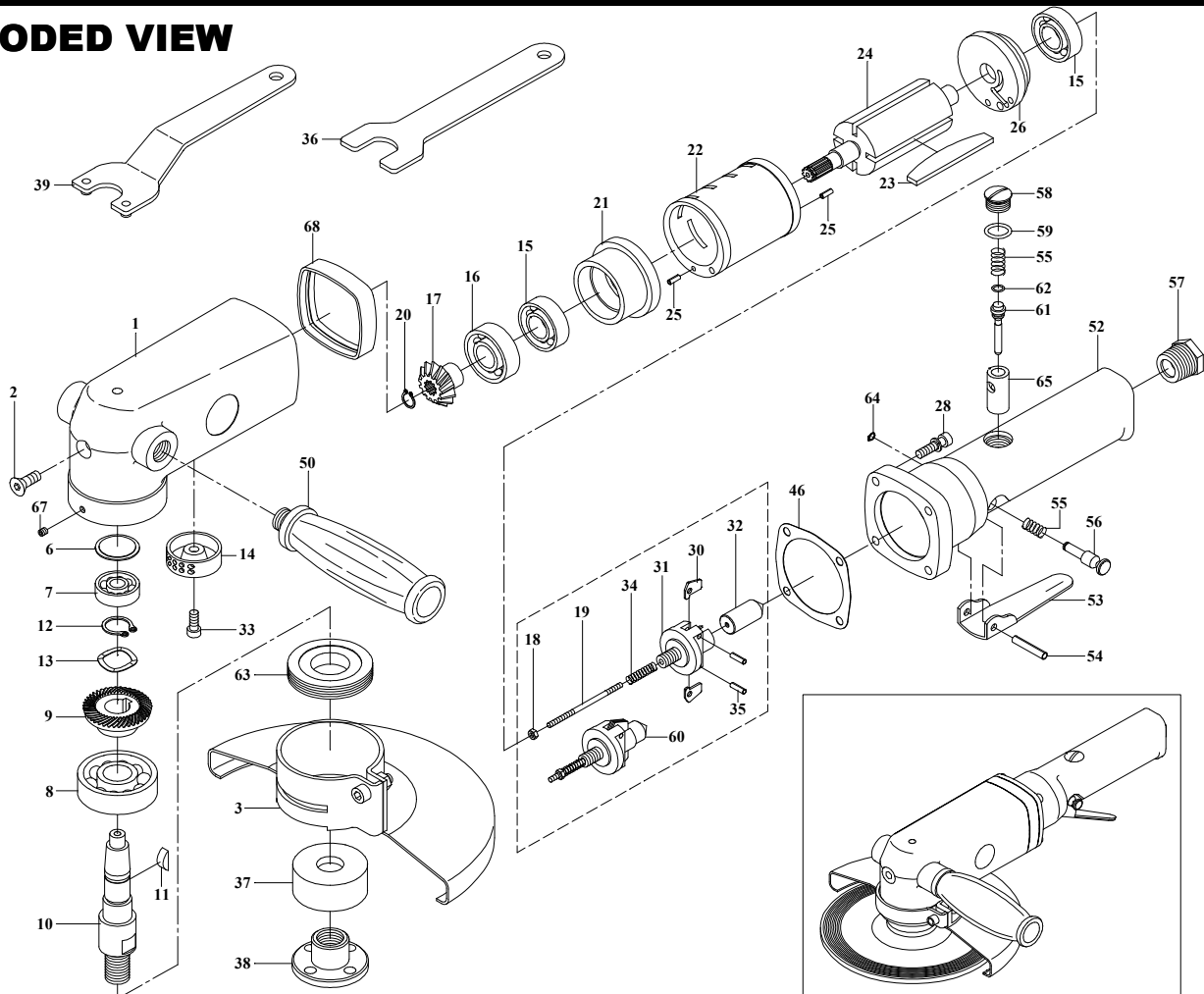


# 5008A 7" ANGLE GRINDER

## EXPLODED VIEW



## PARTS LIST – FOR REFERENCE ONLY

Index Number	Part Number	Description	Qty.	Index Number	Part Number	Description	Qty.	Index Number	Part Number	Description	Qty.
1	831001	Body	1	17	831017	Bevel Pinion	1	35	SP015	Spring Pin	2
2	MT001	Screw	1*	18	NH3	Adjust Nut	1	36	829048	Stop Spanner	1
3	831003A	Disc Cover	1	19	831019	Adjust Screw	1	37	831005LA	Disc Receiver	1
4	831004	Disc Nut	1	20	C9	Retaining Ring	1*	38	915005	Pad Nut	1
5	831005	Disc Receiver	1	21	831021	Front Plate	1	39	829047	Disc Spanner	1
6	831006	Spacer	1	22	831022	Cylinder	1	46	831046	Gasket	1*
7	B629ZZ	Ball Bearing	1	23	831023	Rotor Blade	4*	50	829027	Dead Handle	1
8	B6303ZZ	Ball Bearing	1	24	831024	Rotor	1	52	831052a	Governor Case	1
9	831009	Bevel Gear	1	25	SP025	Spring Pin	2	53	831053	Lever	1
10	831010L	Gear Shaft	1	26	831026	Rear Plate	1	54	SP028	Spring Pin	1
11	KR003	Key	1	28	CAP016	Cap Screw	4	55	S028	Valve Spring	2
12	C15	Retaining Ring	1	30	831030	Pendulum	8	56	831056	Safe Lever	1
13	WW15	Spring Washer	1	31	831031	Governor	1	57	831057	Hose Adapter	1
14	831014	Exhaust Deflector	1	32	831032	Plunger	1	58	832052	Valve Screw	1
15	B6201	Ball Bearing	2	33	CAP017	Screw	1	59	OR033	O-Ring	1*
16	B6202	Ball Bearing	1	34	S024	Spring	1	60	831H01	Governor Assembly	1*
								61	831061	Valve Pin	1
								62	OR034	O-Ring	1*
								63	831063	Nut	1
								64	C5	Retaining Ring	1
								65	831065	Valve Bushing	1
								67	MS006	Set	1
								68	829049	Rubber	1
								69	829047	Disc Spanner	1

### TECHNICAL DATA

	Max Air Pressure	Recommended Air Hose Size	RPM Free Speed	Max Air Flow CFM	Weight (lbs.)
5008A	90 psi	1/2"	7,000	3.5	7.9

### FOOTNOTES

\* Parts Available in 5008A-RK\*

# EAGLE

When ordering spare parts, please specify tool type, part number and description

10000 SE PINE, PORTLAND, OR 97216  
503-254-1749 FAX 503-256-4026

REVISED 05/00