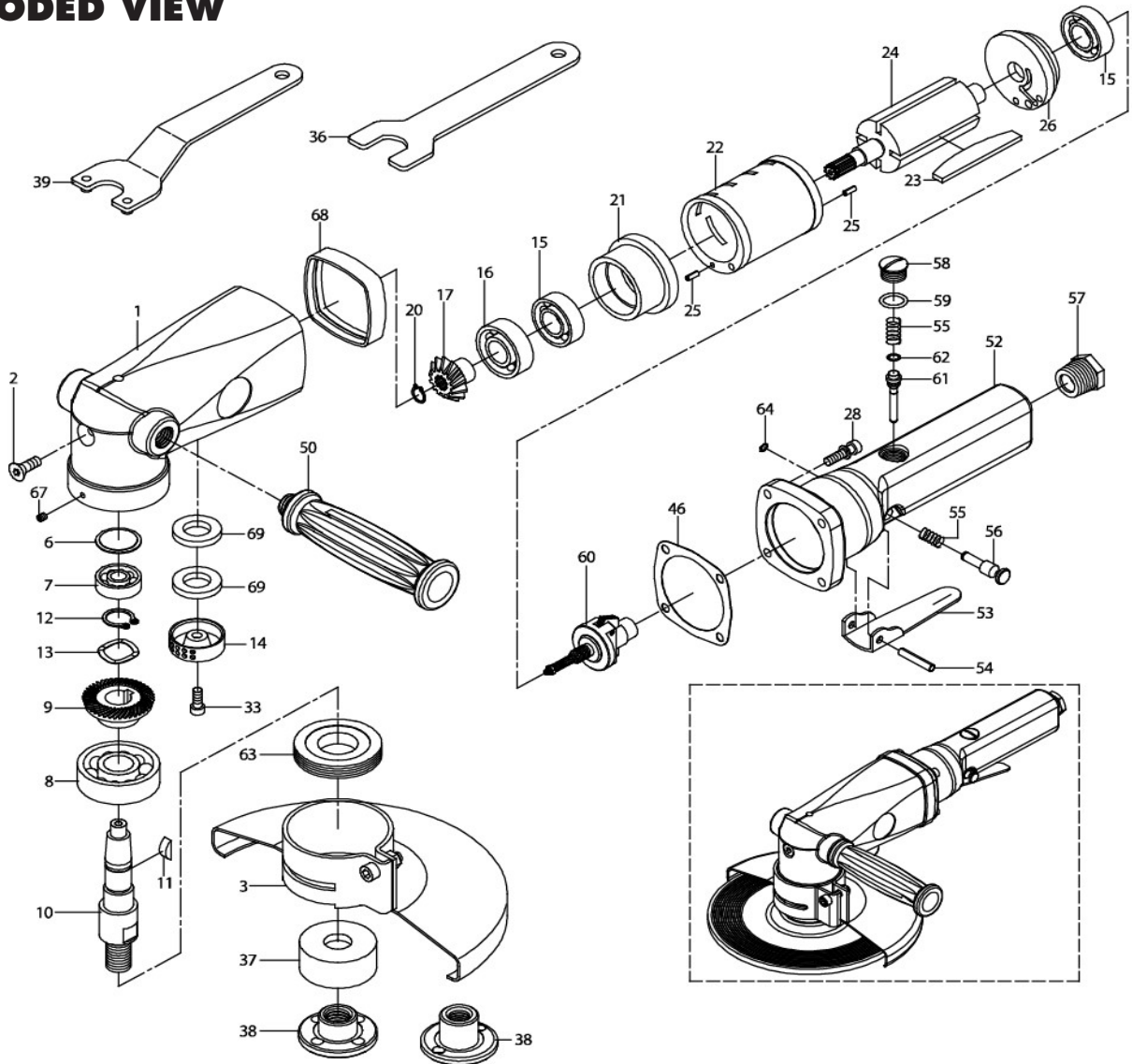


# 5008H 7" DUAL ATTACHMENT ANGLE GRINDER

## EXPLODED VIEW



### PARTS LIST — FOR REFERENCE ONLY

Index Number	Part Number	Description	Qty.	Index Number	Part Number	Description	Qty.	Index Number	Part Number	Description	Qty.
1	831001	Body	1	20	C9	Retaining Ring	1	52	831052	Governor Case	1
2	MT001	Screw	1	21	831021	Front Plate	1	53	831053	Lever	1
3	831003a	Disc Cover	1	22	831022	Cylinder	1	54	SP028	Spring Pin	1
6	831006	Spacer	1	23	831023	Rotor Blade	4	55	S028	Valve Spring	2
7	B629ZZ	Ball Bearing	1	24	831024	Rotor	1	56	831056	Safe Lever	1
8	B6303ZZ	Ball Bearing	1	25	SP025	Spring Pin	2	57	831057	Hose Adapter	1
9	831009	Bevel Gear	1	26	831026	Rear Plate	1	58	832052	Valve Screw	1
10	831010L	Gear Shaft (5/8-11)	1	28	CAP016	Cap Screw	4	59	OR033	O-Ring	1
	831010LA	Gear Shaft (M14)	1	33	CAP017	Screw	1	60	831h01	Governor Assembly	1
11	KR003	Key	1	36	829048	Stop Spanner	1	61	832059	Valve Pin	1
12	C15	Retaining Ring	1	37	831005LA	Disc Receiver	1	62	OR034	O-Ring	1
13	WW15	Spring Washer	1	38	915005	Pad Nut (5/8-11)	1	63	831063	Nut	1
14	831014	Exhaust Deflector	1	39	831069	Disc Nut (M14)	1	64	C5	Retaining Ring	1
15	B6201	Ball Bearing	2	39	829047	Disc Spanner	1	67	MS006	Screw	1
16	B6202ZZ	Ball Bearing	1	46	831046	Gasket	1	68	829049	Rubber	1
17	831017	Bevel Pinion	1	50	829027	Dead Handle	1	69	831014-1	Muffler	2

### FOOTNOTES

● = Items in Repair Kit 5008H-RK

**EAGLE GROUP**  
A Division of AIMCO

10000 SE PINE  
PORTLAND, OR 97216  
503-254-6600  
FAX 503-255-2615

When ordering spare parts, please specify  
tool type, part number, and description