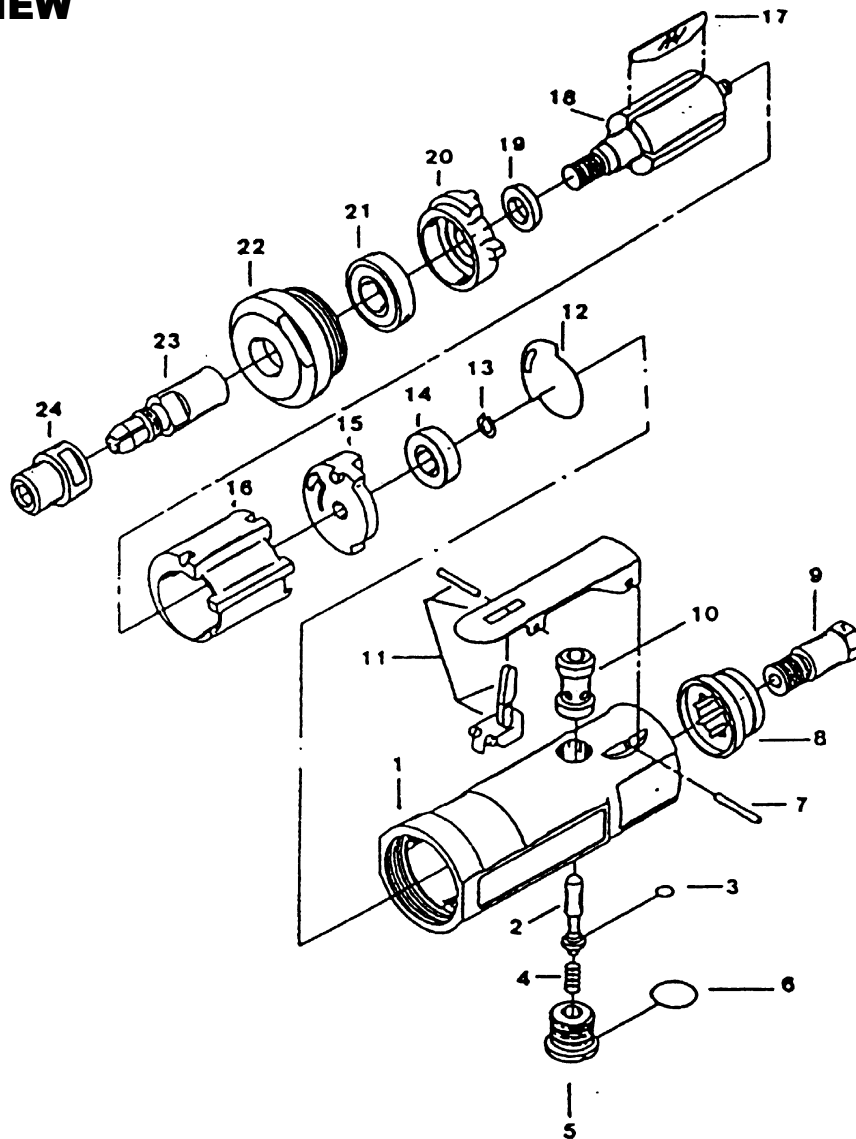


# 5009 DIE GRINDER

## EXPLODED VIEW



## PARTS LIST – FOR REFERENCE ONLY

Index Number	Part Number	Description	Qty.	Index Number	Part Number	Description	Qty.	Index Number	Part Number	Description	Qty.
1	E2001	Housing	1	9	E3016	Hose Adapter	1	17	E4010	Rotor Vanes	4*
2	E3001	Trigger Stem	1	10	E3002	Trigger Body	1	18	E3011	Rotor	1
3	E4005	O-Ring	1*	11	E1110	Throttle Assembly	1	19	E3020	Rotor Spacer	1
4	E6021	Trigger Spring	1*	12	E4001	Motor Gasket	1	20	E7030	Front End Plate	1
5	E7071	Valve Plug	1*	13	E6011	Motor Retaining Ring	1*	21	E6001	Ball Bearing	1
6	E4006	O-Ring	1	14	E6003	Bearing	1*	22	E1161	Lock nut Assembly	1
7	E5015	Roll Pin	1	15	E7031	Rear End Plate	1	23	E3060	Collet 1/4"	1
8	E7072	Exhaust Duct	1	16	E7050	Cylinder	1	24	E3061	Collet Nut	1

### TECHNICAL DATA

	Max Air Pressure	Recommended Air Hose Size	RPM Free Speed	Max Air Flow CFM	Weight (lbs.)
5009	90 psi	3/8"	20,000	14	1.6

### FOOTNOTES

When ordering spare parts, please specify tool type, part number and description

10000 SE PINE, PORTLAND, OR 97216  
503-254-1749 FAX 503-256-4026

REVISED 7/99

# EAGLE