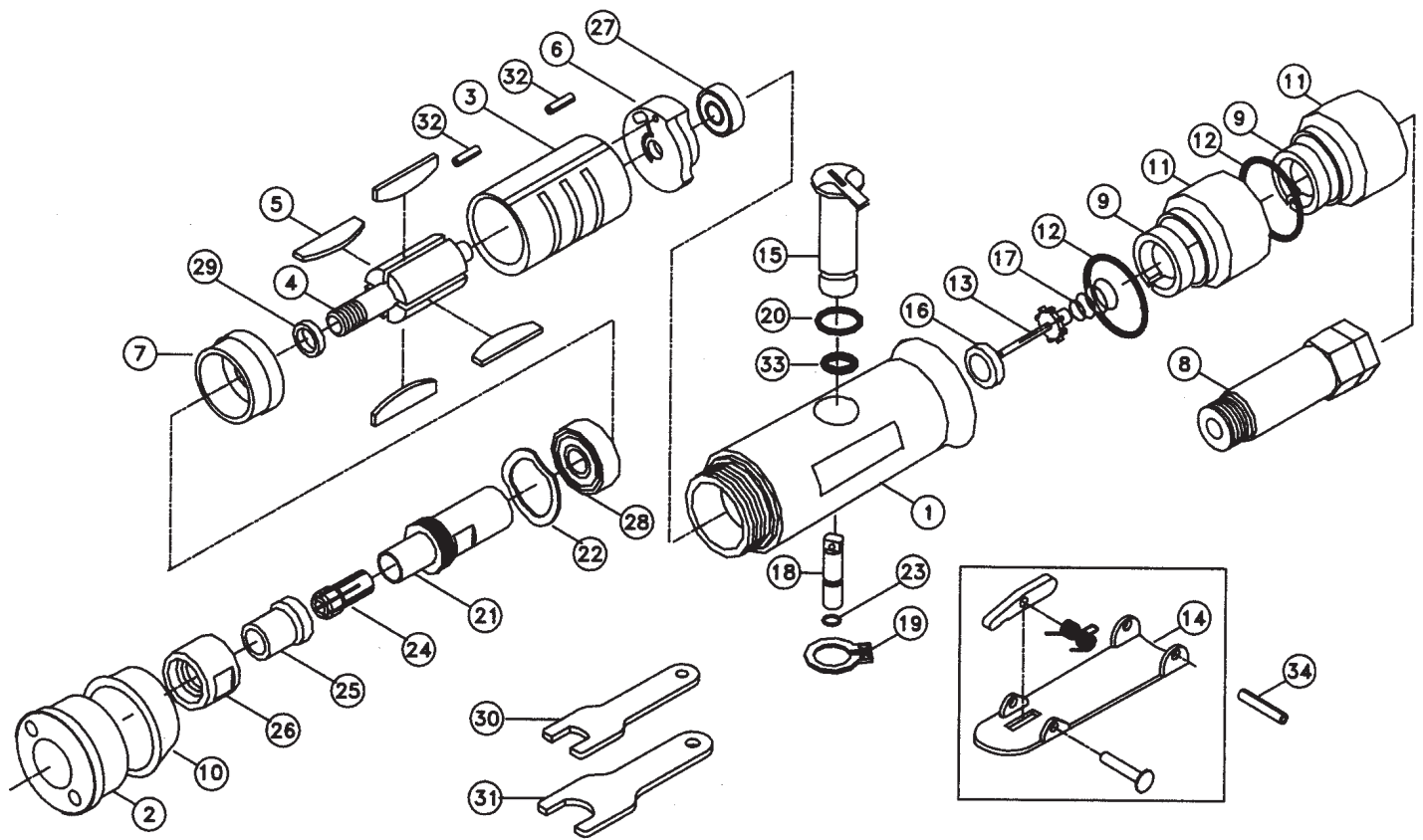


# 5105EC 1/4" DIE GRINDER

## EXPLODED VIEW



## PARTS LIST — FOR REFERENCE ONLY

Index Number	Part Number	Description	Qty.	Index Number	Part Number	Description	Qty.	Index Number	Part Number	Description	Qty.
1	10501	Motor Housing	1	15	07907	Speed Reg.	1	29	96130	Rotor Spacer	1
2	10502	Cap	1	16	07908	Seal	1	30	96133	Spanner Wrench (11 mm)	1
3	10504	Cylinder	1	17	07909	Spring	1	31	96134	Spanner Wrench (17 mm)	1
4	10505	Rotor	1	18	07910	Valve Stem	1	32	96135	Pin (2 x 3.6)	2
5	10506	Blade	4	19	07912	Retaining Ring	1	33	83712	O-Ring	1
6	10507	Rear End Plate	1	20	07915	O-Ring	1	34	891127	Pin (3 x 22)	1
7	10508	Front Bearing Plate	1	21	07916A	Spindle	1				
8	10509AR	Inlet	1	22	07919	Wave Washer (WW20)	1				
9	10510	Felt Muffler	2	23	00724S	O-Ring	1				
10	10511	Insulator Collar	1	24	00830	Collet	1				
11	07902	Muffler Cap	2	25	00831C1	Collet Bushing	1				
12	07903	O-Ring	2	26	00831C2	Collet Nut	1				
13	07904	Tip Valve	1	27	982-033-0	Ball Bearing 696	1				
14	07905	Safety Lever Assembly	1	28	982-045-0	Ball Bearing 608	1				

**EAGLE**  
GROUP  
A Division of AIMCO

10000 SE PINE  
PORTLAND, OR 97216  
503-254-6600  
FAX 503-255-2615

When ordering spare parts, please specify  
tool type, part number, and description

### FOOTNOTES