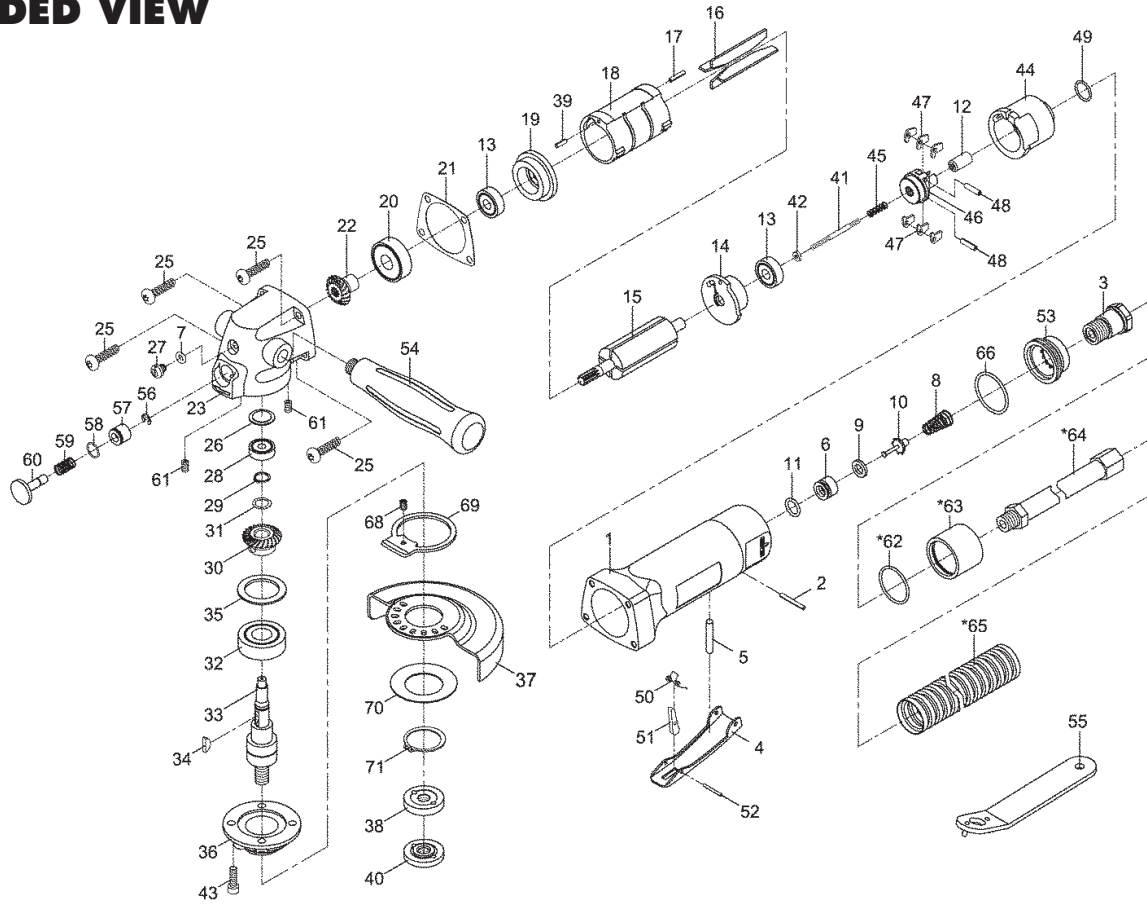


5196EC 5" GOVERNED DISC GRINDER

EXPLODED VIEW



PARTS LIST — FOR REFERENCE ONLY

Index Number	Part Number	Description	Qty.	Index Number	Part Number	Description	Qty.	Index Number	Part Number	Description	Qty.
1	5D-6192P01	Motor Housing	1	26	61926	Spacer	1	50	522212	Spring	1
2	30102-11	Spring Pin (3 x 24)	1	27	61927-11	Screw (M6 x 6)	1	51	522239	Safety Bar	1
3	5D-619203	Air Inlet	1	28	982-021-0	Ball Bearing (626zz)	1	52	51542-11	Spring Pin (2 x 18)	1
4	6K-301104	Throttle Lever	1	29	60319-11	Retaining Ring (STW-10)	1	53	5D-619207	Exhaust Diffuser	1
5	500105	Pin	1	30	5D-6192S30	Bevel Gear	1	54	610238	Dead Handle	1
6	AS00207	Valve	1	31	61931-11	Wave Washer (WW-10)	1	55	619554	Pin Wrench	1
7	61907-11	O-Ring (4.9 x 2.2)	1	32	982-242-0	Ball Bearing (6202zz)	1	56	62047-11	Retaining Ring (ETW-4)	1
8	73108	Spring	1	33	5D-6192S25	Spindle (5/8"-11 UNC)	1	57	5D-619227	Bushing	1
9	73153	Rubber Spacer	1	34	61934-11	Key (3 x 13)	1	58	52236-11	O-Ring (10.5 x 1)	1
10	500110-11 SUB	Valve Stem	1	35	5D-6192S11	Spacer	1	59	82208	Spring	1
11	500111-11	O-Ring (10.8 x 2)	1	36	5D-6192S07	Bearing Cap	1	60	5D-619229	Spindle Stop Button	1
12	61912	Plunger	1	37	5D-6192S02	Disc Cover	1	61	82246-12	Set Screw (M5 x 8)	2
13	982-045-0	Ball Bearing (608zz)	2	38	5D-619243	Flange (5/8"-11 UNC)	1	66	206011-11	O-Ring (29.5 x 2)	1
14	5D-619214	Rear Plate	1	39	61048-11	Spring Pin (2.5 x 8)	1	68	5D-6192S08	Spring	1
15	61915	Rotor	1	40	5D-619244	Flange Nut (5/8"-11 UNC)	1	69	5D-6192S09	Lock Ring	1
16	61916	Rotor Blade	4	41	61941	Adjust Screw	1	70	5D-6192S10	Disk Spring	1
17	206106-11	Spring Pin (2.5 x 12)	1	42	61942	Adjust Nut	1	71	STW27	Retaining Ring (STW-27)	1
18	5D-619218	Cylinder	1	43	40343-12	Screw (4) (M5 x 16)	4	62	OR02700200-1	O-Ring (27 x 2)	1
19	5D-619219	Front End Plate	1	44	5D-619224	Inlet Guide	1	63	5D-619247	Clamp	1
20	982-241-0	Ball Bearing (6201zz)	1	45	61945	Spring	1	64	51239	Hose	1
21	5D-619008	Gasket	1	46	61946	Governor	1	65	5D-619249	Exhaust Hose	1
22	61922	Bevel Gear	1	47	61947	Pendulum	6				
23	5D-619228	Gear Housing	1	48	40317-13	Spring Pin (3 x 12)	2				
25	5D-619225-11	Screw (5 x 20)	1	49	82247-11	O-Ring (13.5 x 1.5)	1				

FOOTNOTES

EAGLE GROUP
A Division of AIMCO

10000 SE PINE
PORTLAND, OR 97216
503-254-6600
FAX 503-255-2615

When ordering spare parts, please specify
tool type, part number, and description

REVISED 09/18