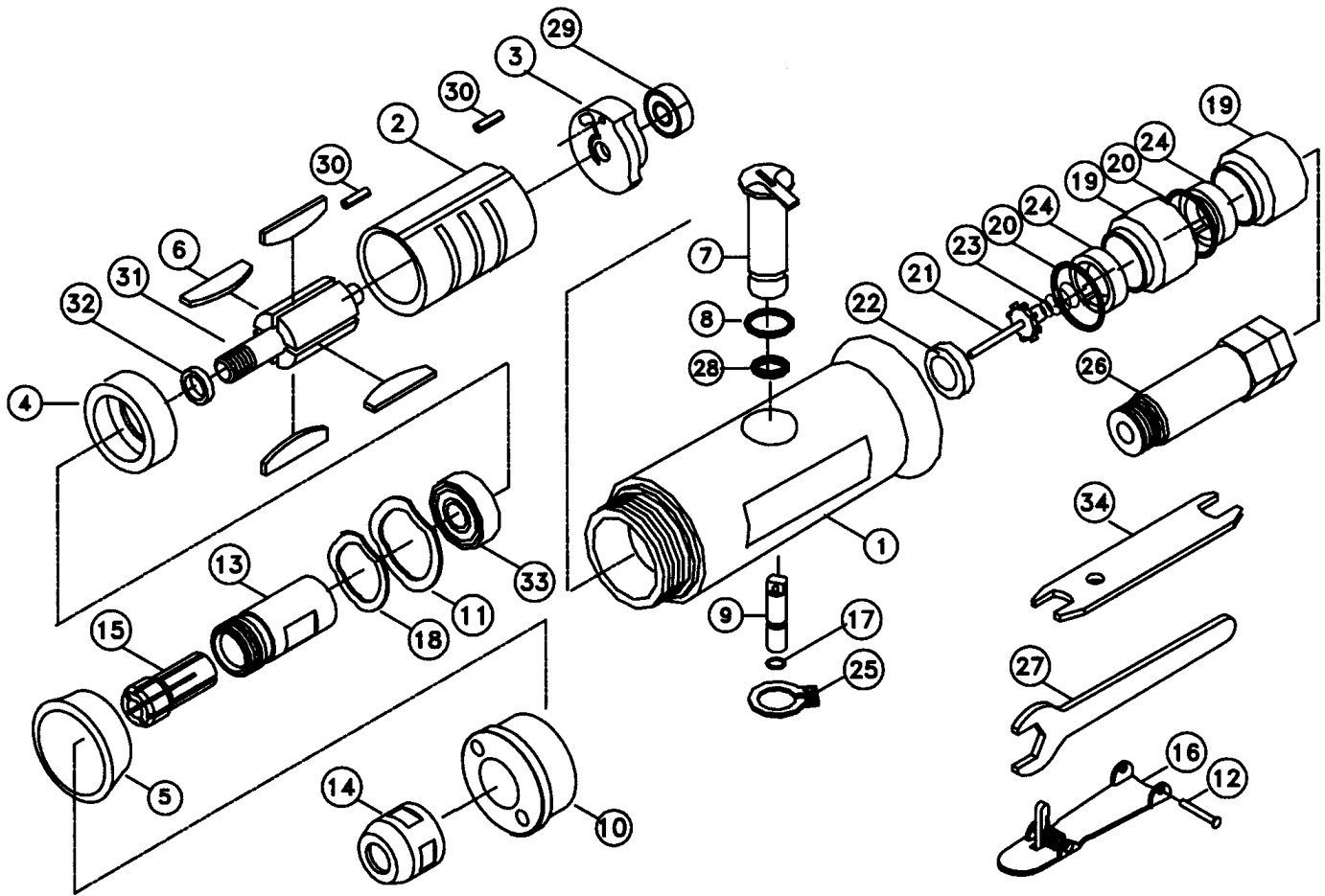


51-06222 1/4" DIE GRINDER

EXPLODED VIEW



PARTS LIST — FOR REFERENCE ONLY

Index Number	Part Number	Description	Qty.	Index Number	Part Number	Description	Qty.	Index Number	Part Number	Description	Qty.
1	10601	Motor Housing	1	16	00722S	Safety Lever Assembly	1	31	98124	Rotor	1
2	10602	Cylinder	1	17	00724S	O-Ring P2.6 x 1	1	32	98125	Spacer	1
3	10603	Rear End Plate	1	18	05705	Wave washer (WW18)	1	33	982-170-0	Ball Bearing (6000)	1
4	10604	Front Bearing Plate	1	19	07902	Muffler Cap	2	34	98312	Spanner Wrench (14 mm)	1
5	10606	Insulator Collar	1	20	07903	O-Ring	2				
6	10607	Blade	4	21	07904	Tip Valve	1				
7	08202	Speed Reg.	1	22	07908	Seal	1				
8	08203	O-Ring	1	23	07909	Spring	1				
9	08204	Valve Stem	1	24	07911	Felt Muffler	2				
10	08205	Cap	1	25	07912	Retaining Ring	1				
11	08206	Wave Washer (6202)	1	26	07913AR	Inlet	1				
12	08207	Pin (3 x 24)	1	27	41239	Spanner Wrench (19 mm)	1				
13	00712S	Spindle	1	28	83712	O-Ring (P8)	1				
14	00713S	Collet Nut	1	29	91503	Ball Bearing (626)	1				
15	00716	Collet	1	30	96135	Pin (2 x 3.6)	2				

FOOTNOTES

EAGLE
GROUP
A Division of AIMCO

10000 SE PINE
PORTLAND, OR 97216
503-254-6600
FAX 503-255-2615

When ordering spare parts, please specify
tool type, part number, and description

REVISED 09/19