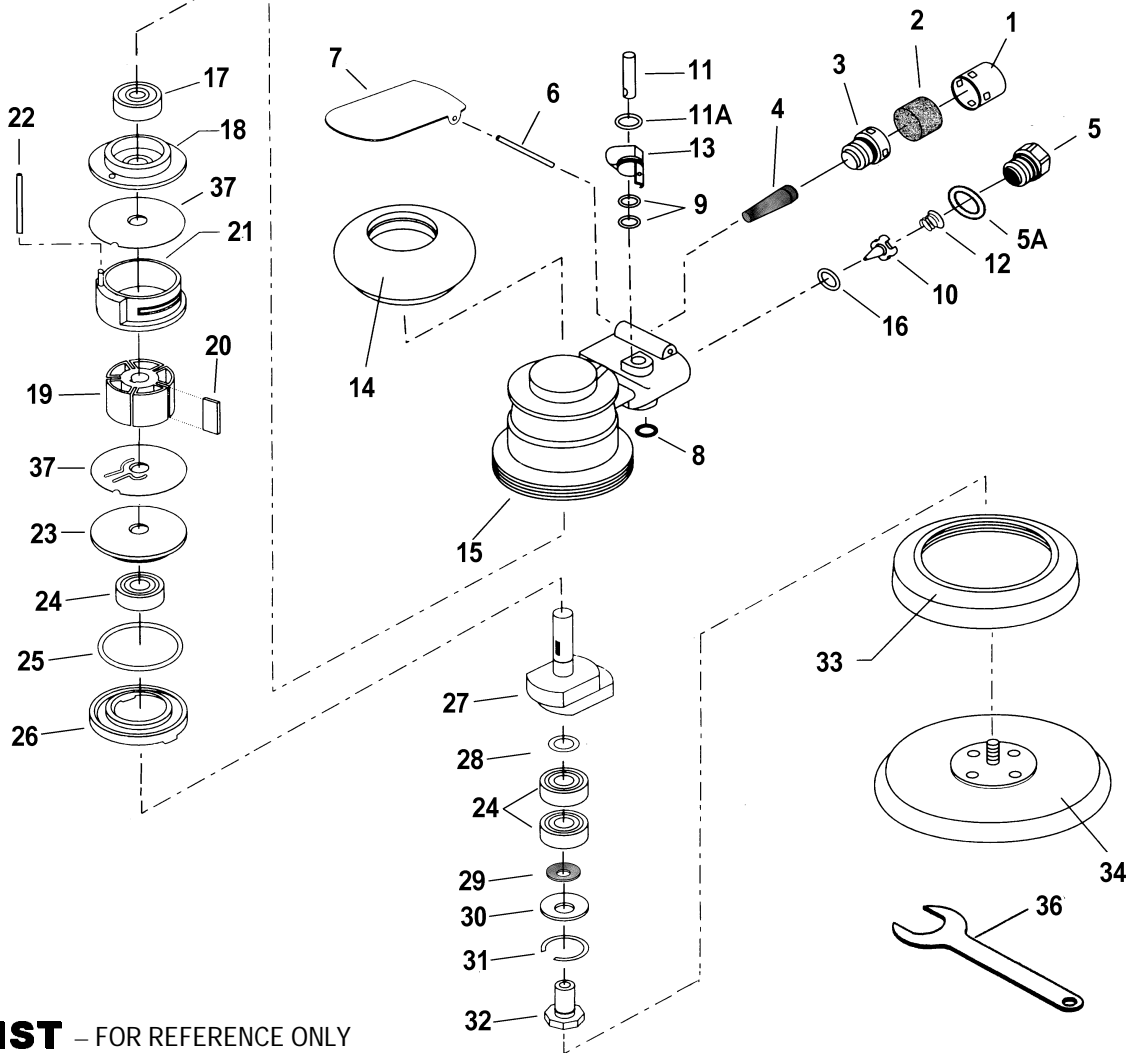


# 6900 RANDOM ORBITAL SANDER

## EXPLODED VIEW ONLY



## PARTS LIST – FOR REFERENCE ONLY

Index Number	Part Number	Description	Qty.
1	718I001	Cover	1
2	718I002	Felt	1
3	718I003	Muffer Body	1
4	718I004	Cone Muffer	1
5	718I005	Inlet Bushing	1
5A	718I05A	Washer	1
6	718I006	Spring Pin	1
7	718I007	Lever	1
8	718I008	Snap Ring	1
9	718I009	O-Ring	2
10	718I010	Regulator	1
11	718I011	Valve Stem	1

Index Number	Part Number	Description	Qty.
11A	718I011A	O-Ring	1
12	718I012	Spring	1
13	718I013	Lever	1
14	718I014	Rubber Cover	1
15	718I015	Housing	1
16	718I016	Washer	1
17	718I017	Ball Bearing	1*
18	718I018	Rear Plate	1
19	718I019	Rotor	1
20	718I020	Rotor Blade	5*
21	718I021	Cylinder	1
22	718I022	Spring Pin	1

Index Number	Part Number	Description	Qty.
23	718I023	Front Plate	1
24	718I024	Ball Bearing	3*
25	718I025	O-Ring	1
26	718I026	Safeguard Busing	1
27	718I027	Motor Shaft Balancer for 5"	1
27	718I027A	Motor Shaft Balancer for 6"	1
28	718I028	Snap Ring	1
29	718I029	Felt Ring	1
30	718I030	Bearing Shield	1
31	718I031	Snap Ring	1
32	718I032	Shaft	1
33	718I033	Shroud	1
35	718I035	Vacuum Adapter	1
36	718I036	Wrench	1
37	718I037	Steel Plate	2

### ACCESSORIES

34	718I0034	Sanding Pad	1
----	----------	-------------	---

### TECHNICAL DATA

	Recommended Air Pressure	Recommended air hose size	Free Speed RPM
MA-5 & MA-6	90 psi	3/8"	12,000

### FOOTNOTES

\* Parts available in 6900-RK\*



When ordering spare parts, please specify tool type, part number and description

10000 SE PINE, PORTLAND, OR 97216  
503-254-1749 FAX 503-256-4026

REVISED 12 / 01