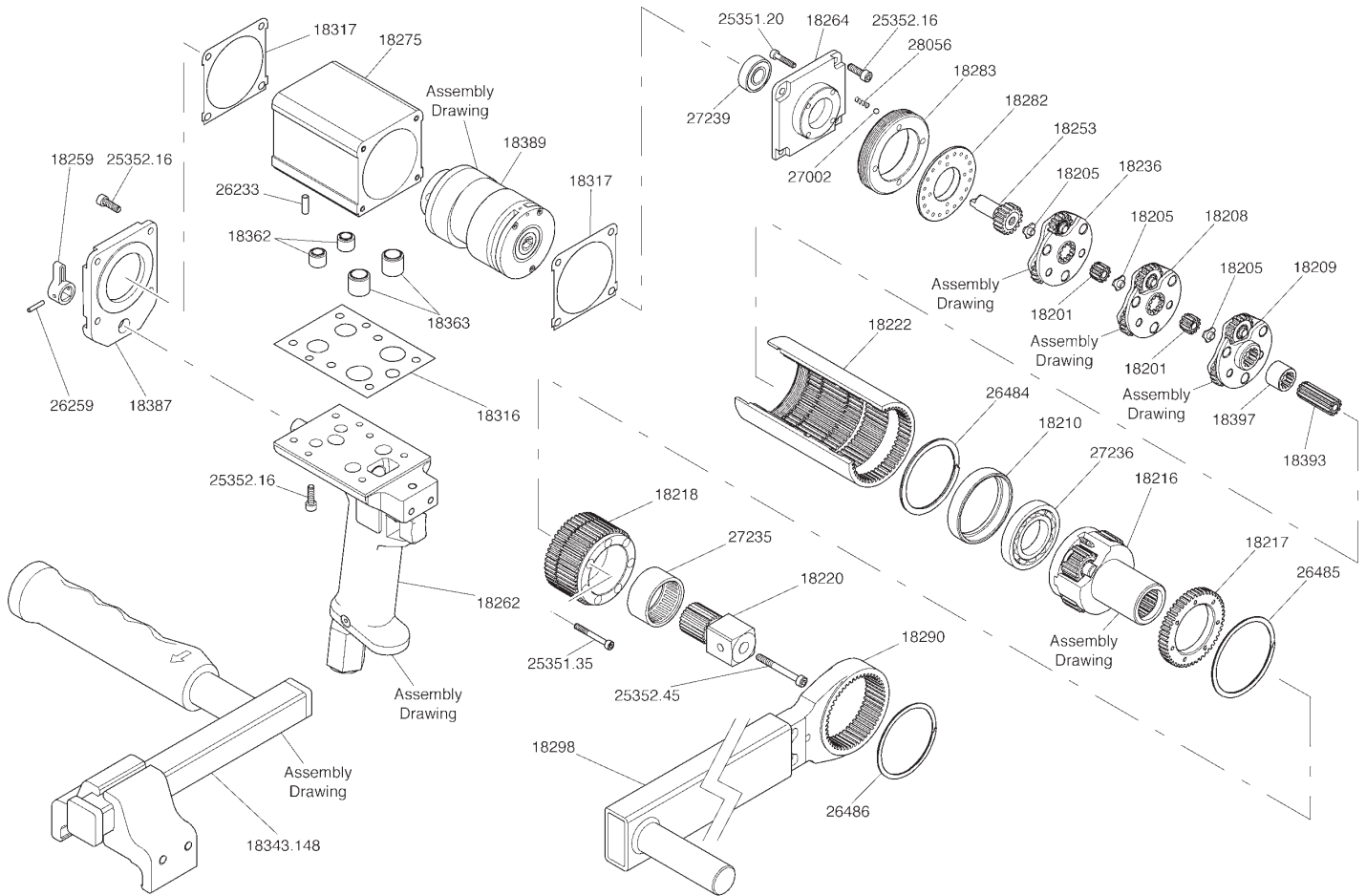


ADT-2000-4 72MM PNEUTORQUE 1" SQ. DR.

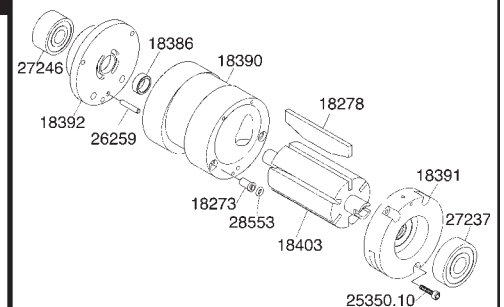
EXPLODED VIEW



PARTS LIST — FOR REFERENCE ONLY

Index Number	Description	Qty.	Index Number	Description	Qty.
18201	GEAR SUN 5:1 20DP	2	18343.148	LIFTING HANDLE ASSY	1
18205	RETENTION PLUG SUN GEAR 20DP	3	18362	INLET SEALING RING	2
18208	CARRIER ASSY MULTI-STAGE 20 DP	1	18363	EXHAUST SEALING RING	2
18209	CARRIER ASSY MULTI-STAGE FINAL	1	18387	AIR MOTOR REAR COVER PLATE NEW DESIGN	1
18210	HOUSING FOR BALL RACE	1	18389	AIR MOTOR CASSETTE BOLTED DESIGN	1
18216	CARRIER ASSY 5:1 FINAL STAGE	1	18393	SUN GEAR FINAL PT2000	1
18217	RETENTION PLATE 20DP GEARFORM	1	18397	SUPPORT SLEEVE FOR 18393	1
18218	BEARING NOSE 20DP	1	25351.20	SCREWS M4 x 20mm LONG	4
18220	SQ DR 1" 20DP REPLACEABLE	1	25351.35	SCREWS M4 x 35mm LONG	7
18222	ANNULUS 20 DP POWER TOOL	1	25352.16	SCREWS M5 x 16mm LONG	14
18236	3.5:1 MULTI-STAGE ASSY 20DP	1	25352.45	SCREWS M5 x 45mm LONG	1
18253	3.5:1 SHORT MOTOR DRIVE PINION	1	26233	PIN DOWEL 5 DIA x 16 LONG	2
18259	MOTOR DIRECTION CONTROL	1	26259	PIN DOWEL 3 DIA x 16 LONG	1
18262	AIR MOTOR HANDLE ASSY	1	26484	CIRCLIP 60mm INTERNAL	1
18264	AIR MOTOR FRONT PLATE 72mm	1	26485	CIRCLIP 64mm EXTERNAL	1
18275	AIR MOTOR ALUMINIUM BODY	1	26486	CIRCLIP 60mm EXTERNAL	1
18282	INDEX RING	1	27002	STEEL BALL 3/16" DIA	4
18283	THREADED LOCK RING	1	27235	NEEDLE ROLLER BEARING	1
18290	REACTION ADAPTOR SPLINED	1	27236	BALL RACE 30ID x 55OD x 9WIDE	1
18298	REACTION TUBE WITH PEG	1	27239	BALL RACE OD28 ID12 W8	1
18316	GASKET AIR MOTOR HANDLE	1	28056	SPRING COMP LEE	4
18317	GASKET FOR COVER PLATE	2			

AIR MOTOR CASING ASSEMBLY 18389



18273	AIR MOTOR EXHAUST PISTON	2
18278	AIR MOTOR ROTOR VANES	6
18386	ROTOR SPACER LARGE	1
18390	AIR MOTOR CYLINDER BOLTED	1
18391	AIR MOTOR EXHAUST PLATE BOLTED	1
18392	AIR MOTOR INLET PLATE BOLTED	1
18403	AIR MOTOR ROTOR BOLTED DESIGN	1
25350.10	SOCKET CAP SCREW M3 X 10MM LONG	1
26259	PIN DOWEL 3mm DIA x 16mm LONG	1
27237	BALL RACE FAG 6201.2RSR	1
27246	DOUBLE ROW BEAR RINGER HP3200	1
28553	O-RING 3MM/DX1.5MM SECT	2



AIMCO

When ordering spare parts, please specify tool type, part number and description.

10000 SE PINE, PORTLAND, OR 97216
503-254-6600 FAX 503-255-2615

REVISED 8/00