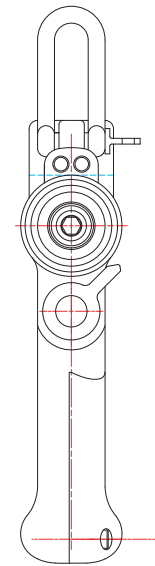
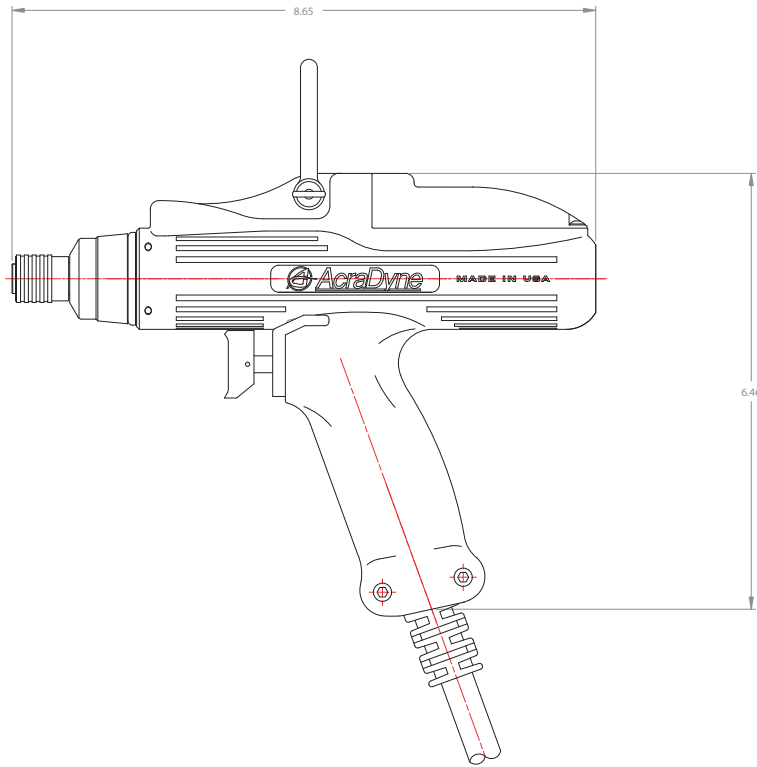
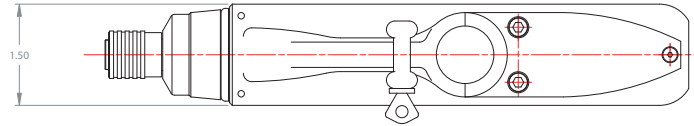


REVISIONS

REV.	DESCRIPTION	ECN	DATE	BY	APPRVD
A	PRODUCTION RELEASE	---	5-23-01	JFB	PP



NOTES :

- 1 FREE SPEED - 2600 RPM
- 2 MAX TORQUE - 10 NM
- 3 WEIGHT - 2.5 LBS. / 1.1 KG.
- 4 OUTPUT - 1/4" HEX QUICK CHUCK

PRINTED COPIES OF THIS DOCUMENT ARE CONSIDERED TO BE UNCONTROLLED. HOLDERS ARE RESPONSIBLE FOR VERIFYING THE CURRENT REVISION LEVEL WITH PURCHASING OR THE DOCUMENT COORDINATOR PRIOR TO USE. THE CONTROLLED VERSION OF THIS DOCUMENT IS ELECTRONICALLY MAINTAINED.

THIS DRAWING EMBODIES CONFIDENTIAL INFORMATION OF ACRADYNE INCORPORATED. IN THE ABSENCE OF EXPRESSED WRITTEN PERMISSION, ACRADYNE HAS LOANED THIS COPY WITH THE UNDERSTANDING THAT A) IT WOULD BE USED FOR ANY PURPOSE EXCEPT THAT FOR WHICH IT WAS LOANED; B) DATA CONTAINED THEREIN SHALL NOT BE DISCLOSED TO OTHERS; C) IT WILL NOT BE REPRODUCED; D) IT WILL BE RETURNED ON DEMAND TO ACRADYNE INC.

UNLESS OTHERWISE SPECIFIED DIMENSIONS ARE IN INCHES
 DIMENSIONS AND TOLERANCES PER ANSI Y14.5
 SURFACE ROUGHNESS PER ANSI Y14.36
 TOLERANCES ON DECIMALS:
 .X = ±.030 .XXX = ±.005
 .XX = ±.010 .XXXX = ±.0005
 ANGLE = ±0° 30'
 REMOVE BURRS AND SHARP EDGES TO SR. MAX.
 MACHINE SURFACE FINISH: 125 RMS OR BETTER

DRAWN	JFB 5-23-01
CHECKED	KJD
APPROVED	PP

 **ACRADYNE INC.**
 1204 E. MAPLE
 TROY, MI. 48083 U.S.A.

OUTLINE - AEP 2010
 2000 SERIES 1/4 QUICK CHUCK

PROJECT NO.	2000	SIZE	D	PART NO.	21507	DRAWING NO.	21507	
DO NOT SCALE DRAWING		SCALE	1:1	SHEET	OF 1	1	REVISION	A