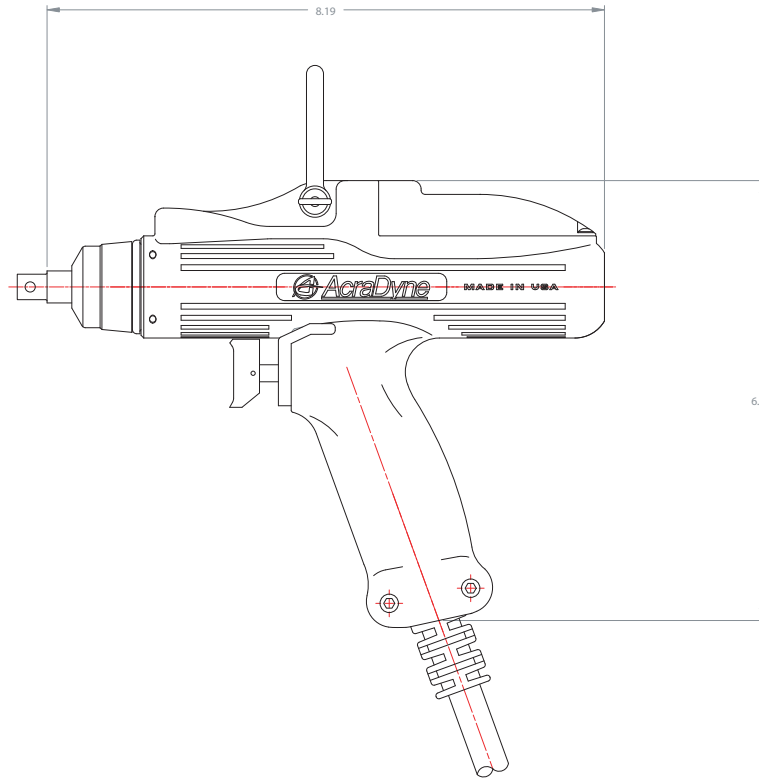
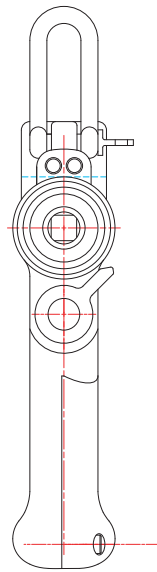
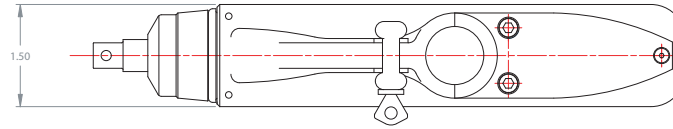


NOTES :

- 1 FREE SPEED - 1025 RPM
- 2 MAX TORQUE - 25 NM
- 3 WEIGHT - 2.5 LBS. / 1.1 KG.
- 4 OUTPUT - 3/8" SQ. DRIVE

REVISIONS

REV.	DESCRIPTION	ECN	DATE	BY	APPRVD
A	PRODUCTION RELEASE	---	5-23-01	JFB	PP



PRINTED COPIES OF THIS DOCUMENT ARE CONSIDERED TO BE UNCONTROLLED. HOLDERS ARE RESPONSIBLE FOR VERIFYING THE CURRENT REVISION LEVEL WITH PURCHASING OR THE DOCUMENT COORDINATOR PRIOR TO USE. THE CONTROLLED VERSION OF THIS DOCUMENT IS ELECTRONICALLY MAINTAINED.

THIS DRAWING EMBODIES CONFIDENTIAL INFORMATION OF ACRADYNE INCORPORATED. IN THE ABSENCE OF EXPRESSED WRITTEN PERMISSION, ACRADYNE HAS LOANED THIS COPY WITH THE UNDERSTANDING THAT: AS IT WOULD BE USED FOR ANY PURPOSE EXCEPT THAT FOR WHICH IT WAS LOANED, NO DATA CONTAINED THEREIN SHALL NOT BE DISCLOSED TO OTHERS, COPY WILL NOT BE REPRODUCED, OR IT WILL BE RETURNED ON DEMAND TO ACRADYNE INC.

UNLESS OTHERWISE SPECIFIED DIMENSIONS ARE IN INCHES DIMENSIONS AND TOLERANCES PER ANSI Y14.5 SURFACE ROUGHNESS PER ANSI Y14.36 TOLERANCES ON DECIMALS:
 X ±.010 XXX ±.005
 XX ±.010 XXXX ±.0005
 ANGLE = ±0° 30'
 REMOVE BURRS AND SHARP EDGES 01 DR. MAX. MACHINE SURFACE FINISH: 125 RMS OR BETTER

DRAWN	JFB 5-23-01
CHECKED	KJD
APPROVED	PP



ACRADYNE INC.
 1204 E. MAPLE
 TROY, MI. 48063 U.S.A.

OUTLINE - AEP 2025
 2000 SERIES 3/8" DR.

PROJECT NO.	2000
DO NOT SCALE DRAWING	

SIZE	D	PART NO.	21509	DRAWING NO.	21509	
SCALE	1:1	SHEET	OF 1	1	REVISION	A