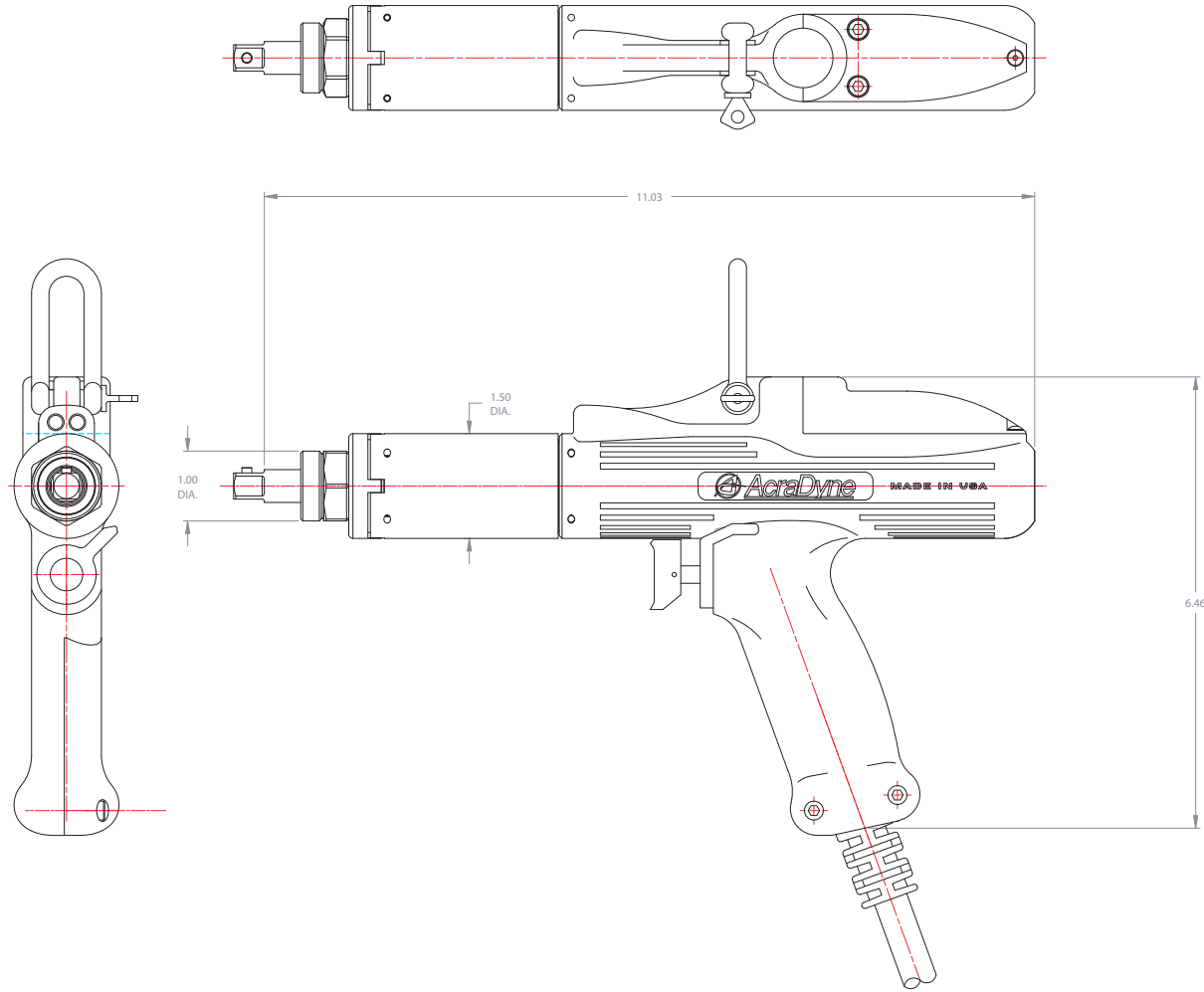


NOTES :

- 1 FREE SPEED - 700 RPM
- 2 MAX TORQUE - 38 NM
- 3 WEIGHT - 3.5 LBS. / 1.6 KG
- 4 OUTPUT - 3/8" SQ. DRIVE

REVISIONS

REV.	DESCRIPTION	ECN	DATE	BY	APPRVD
A	PRODUCTION RELEASE	---	5-23-01	JFB	PP



PRINTED COPIES OF THIS DOCUMENT ARE CONSIDERED TO BE UNCONTROLLED. HOLDERS ARE RESPONSIBLE FOR VERIFYING THE CURRENT REVISION LEVEL WITH PURCHASING OR THE DOCUMENT COORDINATOR PRIOR TO USE. THE CONTROLLED VERSION OF THIS DOCUMENT IS ELECTRONICALLY MAINTAINED.

THIS DRAWING INCLUDES CONFIDENTIAL INFORMATION OF ACRADYNE INCORPORATED. IN THE ABSENCE OF EXPRESSED WRITTEN PERMISSION, ACRADYNE HAS LOANED THIS COPY WITH THE UNDERSTANDING THAT ALL IT WOULD BE USED FOR ANY PURPOSE EXCEPT THAT FOR WHICH IT WAS LOANED. NO DATA CONTAINED THEREIN SHALL BE REPRODUCED TO OTHERS, OR IT WILL NOT BE REPRODUCED, OR IT WILL BE RETURNED ON DEMAND TO ACRADYNE INC.

UNLESS OTHERWISE SPECIFIED DIMENSIONS ARE IN INCHES  
 DIMENSIONS AND TOLERANCES PER ANSI Y14.5  
 SURFACE ROUGHNESS PER ANSI Y14.36  
 TOLERANCES ON DECIMALS:  
 .X = ±.005      .XXX = ±.005  
 .XX = ±.010    .XXX = ±.005  
 ANGLE = ±0° 30'  
 REMOVE BURRS AND SHARP EDGES 0.15R MAX.  
 MACHINE SURFACE FINISH: 125 RMS OR BETTER

DRAWN	JFB 5-23-01
CHECKED	KJD
APPROVED	PP



ACRADYNE INC.  
 1204 E. MAPLE  
 TROY, MI, 48063 U.S.A.

**OUTLINE - AEM 2038**  
 2000 SERIES TRIPLE STEP 3/8" DR.

PROJECT NO.	2000	SIZE	D	PART NO.	21510	DRAWING NO.	21510	
DO NOT SCALE DRAWING		SCALE	1:1	SHEET	OF 1	1	REVISION	A