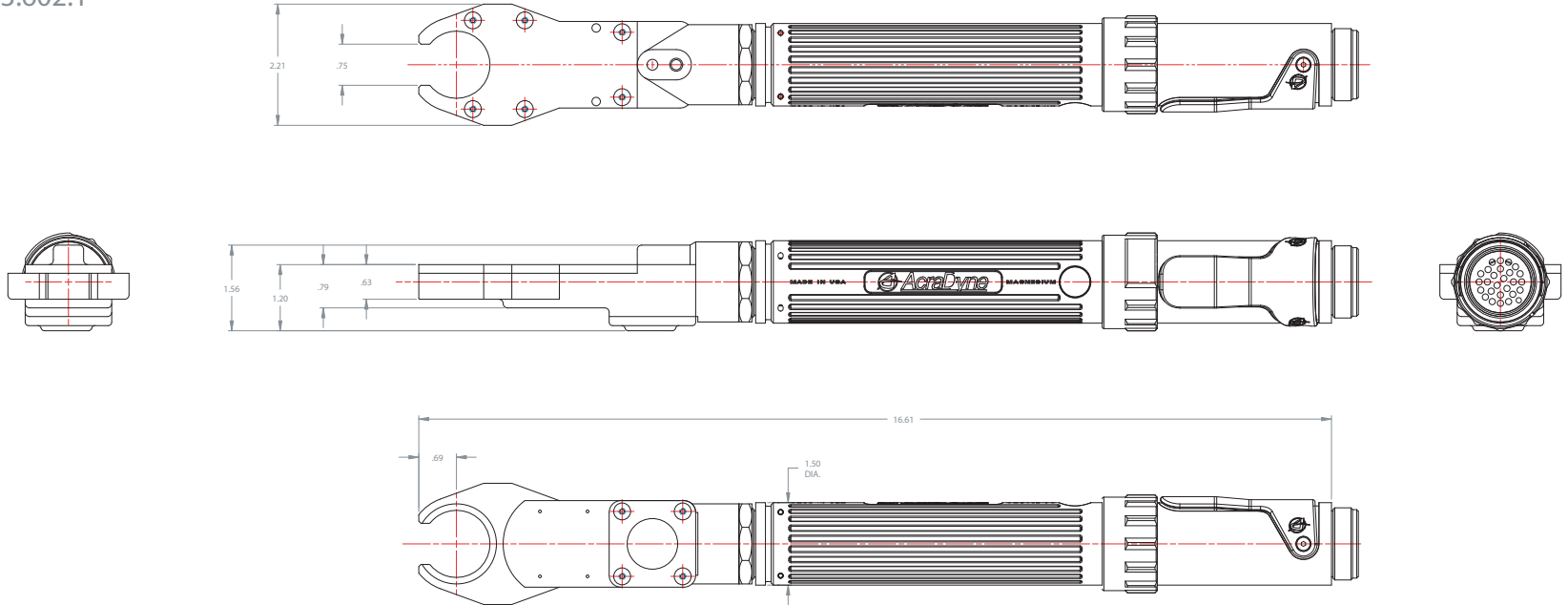


NOTES :

- 1 FREE SPEED - 400 RPM
- 2 MAX TORQUE - 35 NM
- 3 WEIGHT - N/A LBS / N/A KG
- 4 OUTPUT - 22mm MAX HEX
- 5 HEAD GEAR RATIO - 3.602:1

REVISIONS					
REV.	DESCRIPTION	ECN	DATE	BY	APPRVD
A	PRODUCTION RELEASE	---	5-23-01	JFB	PP



PRINTED COPIES OF THIS DOCUMENT ARE CONSIDERED TO BE UNCONTROLLED. HOLDERS ARE RESPONSIBLE FOR VERIFYING THE CURRENT REVISION LEVEL WITH PURCHASING OR THE DOCUMENT COORDINATOR PRIOR TO USE. THE CONTROLLED VERSION OF THIS DOCUMENT IS ELECTRONICALLY MAINTAINED.

THIS DRAWING EMBODIES CONFIDENTIAL INFORMATION OF ACRADYNE INCORPORATED. IN THE ABSENCE OF EXPRESSED WRITTEN PERMISSION, ACRADYNE HAS LOANED THIS COPY WITH THE UNDERSTANDING THAT: A) IT WOULD BE USED FOR ANY PURPOSE EXCEPT THAT FOR WHICH IT WAS LOANED; B) DATA CONTAINED THEREIN SHALL NOT BE DISCLOSED TO OTHERS; C) IT WILL NOT BE REPRODUCED; D) IT WILL BE RETURNED ON DEMAND TO ACRADYNE INC.

UNLESS OTHERWISE SPECIFIED DIMENSIONS ARE IN INCHES DIMENSIONS AND TOLERANCES PER ANSI Y14.5 SURFACE ROUGHNESS PER ANSI Y14.36

TOLERANCES ON DECIMALS:
 X = ±.030 XXX = ±.005
 XX = ±.010 XXXX = ±.0005
 ANGLE = ±0° 30'

REMOVE BURRS AND SHARP EDGES .015R, MAX. MACHINE SURFACE FINISH: 125 RMS OR BETTER

DRAWN JFB 5-23-01
 CHECKED KJD
 APPROVED PP



ACRADYNE INC.
 1204 E. MAPLE
 TROY, MI. 48083 U.S.A.

AET 2035 - OUTLINE
 2000 SERIES TUBE-NUT NUTRUNNER

PROJECT NO.	2000	SIZE	D	PART NO.	21514	DRAWING NO.	21514	
DO NOT SCALE DRAWING		SCALE	1:1	SHEET	OF 1	1	REVISION	A