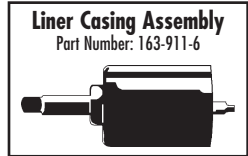
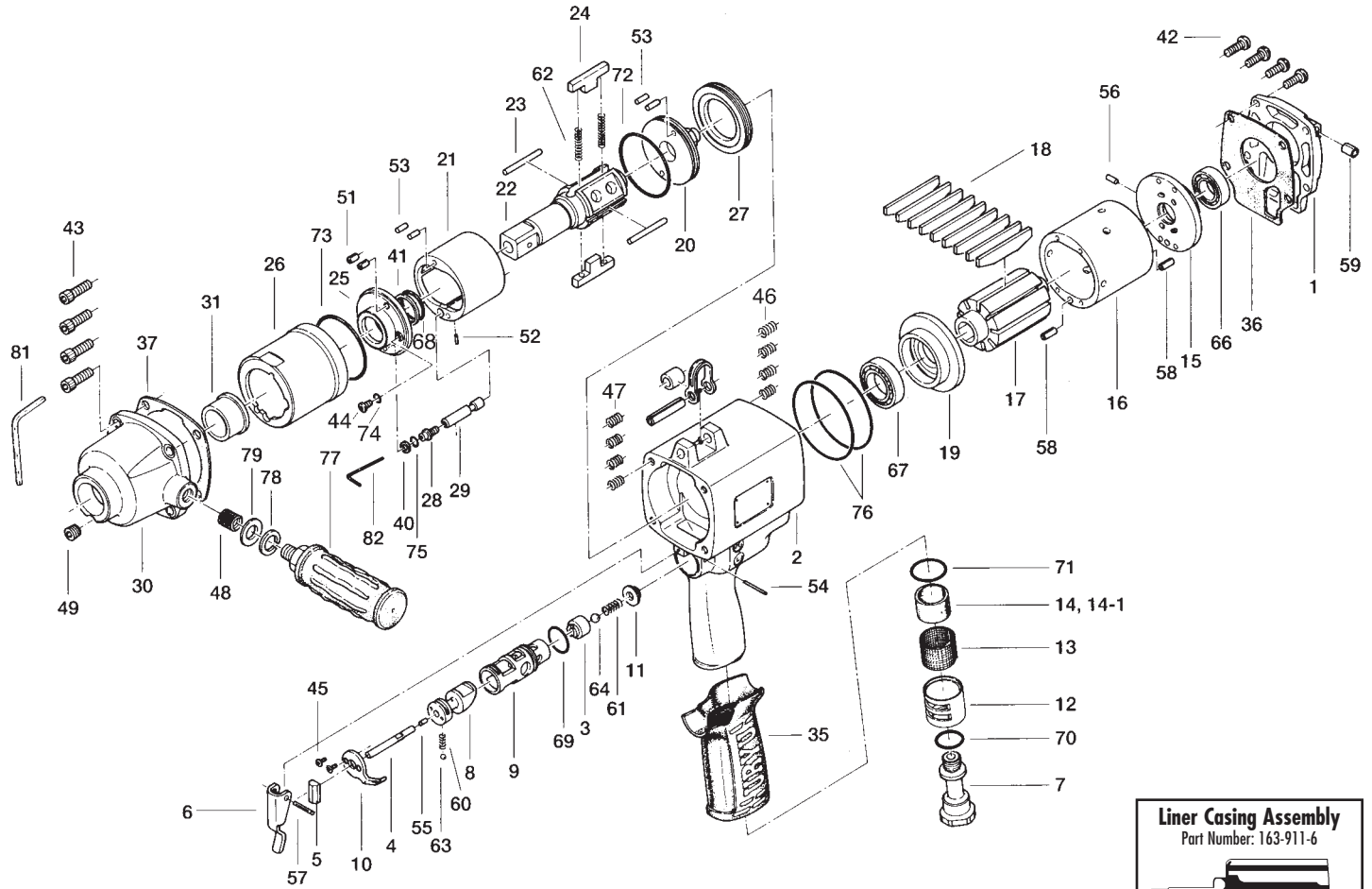


EXPLODED VIEW



PARTS LIST — FOR REFERENCE ONLY

Index Number	Part Number	Description	Qty.	Index Number	Part Number	Description	Qty.	Index Number	Part Number	Description	Qty.
1	195-012-9	Head Cover	1	29	163-970-6	Relief Valve	1	60	976-006-0	Spring (3 X 5 X 0.4)	1
2	163-025-6	Handle	1	30	163-439-6	Front Casing	1	61	976-142-0	Spring (6 X 17.5 X 0.6)	1
3	163-100-6	Valve	1	31	195-328-7	Anvil Bushing	1	62	976-796-0	Spring (4.3X4.8X0.6) WPC	2
4	163-104-6	Valve Rod	1	32	004-790-2	Suspension Ring	1	63	981-002-0	Ball (1/8)	1
5	163-106-6	Valve Rod Cap	1	33	195-790-9	Suspension Ring	1	64	981-206-0	Ball (Black 1/4)	1
6	163-107-6	Valve Lever	1	34	173-796-3	Suspension Bushing	1	65	981-047-0	Ball (3/32)	8
7	163-091-6	Air Inlet Bushing	1	35	163-842-6	Handle Cover	1	66	982-103-0	Ball Bearing (6003)	1
8	163-210-6	Reverse Valve	1	36	195-853-9	Handle Cover Packing	1	67	982-906-0	Ball Bearing (6905)	1
9	163-211-6	Reverse Valve Bushing	1	37	195-867-9	Front Casing Packing	1	68	990-170-0	O-Ring (ARPS68-120NTN)	1
10	163-212-3	Reverse Lever	1	40	944-205-0	Back-up Ring (5.1 X 7 X 1)	1	69	990-916-0	O-Ring (SNS-18)	1
11	163-109-6	Valve Spring Setter	1	41	944-225-0	Back-up Ring (25.2 X 29.4 X 1.5)	1	70	990-919-0	O-Ring (SNS-22)	1
12	163-780-6	Exhaust Stack	1	42	945-117-0	Allen Head Bolt (M5 X 16)	4	71	990-923-0	O-Ring (SNS-26)	1
13	163-042-3	Silencer	1	43	945-220-0	Allen Head Bolt (M6 X 20)	4	72	990-940-0	O-Ring (SNS-53)	1
14	164-835-6	Filter (K200)	1	44	945-942-0	Hexagon Head Bolt (M4 X 6)	1	73	990-941-0	O-Ring (SNS-55)	1
14-1	163-835-5	Filter (K100)	1	45	948-423-0	Allen Flush Head Screw (M3 X 6)	2	74	990-971-0	O-Ring (SNS-3 NOK)	1
15	163-285-6	Rear Plate	1	46	965-011-0	Heli-Sert (M5 X 1.5D)	4	75	990-972-0	O-Ring (SNS-4 NOK)	1
16	163-286-6	Cylinder	1	47	965-021-0	Heli-Sert (M6 X 1.5D)	4	76	990-993-0	O-Ring (SNS-70)	2
17	163-287-6	Rotor	9	48	965-058-0	Heli-Sert (M12X1D)	1	77	566-720-2	Dead Handle (A)	1
18	163-288-6	Blade	1	49	966-100-0	Allen Head Plug (GM 1/8)	1	78	962-013-0	Spring Washer (2-12S)	1
19	163-289-6	Front Plate	1	50	969-480-0	Pin (C) (8 X 40)	1	79	975-127-0	Spacer (20 X 13 X 1)	1
20	195-901-9	Rear Liner Plate	1	51	969-485-0	Pin (D) (4 X 8)	2				
21	172-902-2	Liner	1	52	970-093-0	Pin (H) (2 X 6)	1	ACCESSORIES			
22	173-319-2	Anvil	2	53	970-308-0	Pin (H) (4 X 8)	4	81	939-104-0	Allen Wrench 5	1
23	173-974-2	Roller (3.4 X 45)	2	54	971-126-0	Pin (2 X 26)	1	82	939-109-0	Allen Wrench 2	1
24	195-440-9	Driving Blade	1	55	972-090-0	Roller Pin (3 X 10)	1				
25	163-904-6	Front Liner Plate	1	56	973-066-0	Roll Pin (2.5 X 6)	1				
26	163-905-6	Liner Casing	1	57	973-120-0	Roll Pin (3 X 20)	1				
27	195-906-9	Liner Casing Setter	1	58	973-212-0	Roll Pin (4 X 12)	2				
28	175-907-9	Relief Valve Spindle	1	59	973-360-0	Roll Pin (8 X 10)	1				

FOOTNOTES

AIMCO also offers a complete line of standard & special adapters, bits, sockets and extensions.



When ordering spare parts, please specify tool type, part number and description.

10000 SE PINE, PORTLAND, OR 97216
503-254-6600 FAX 503-255-2615