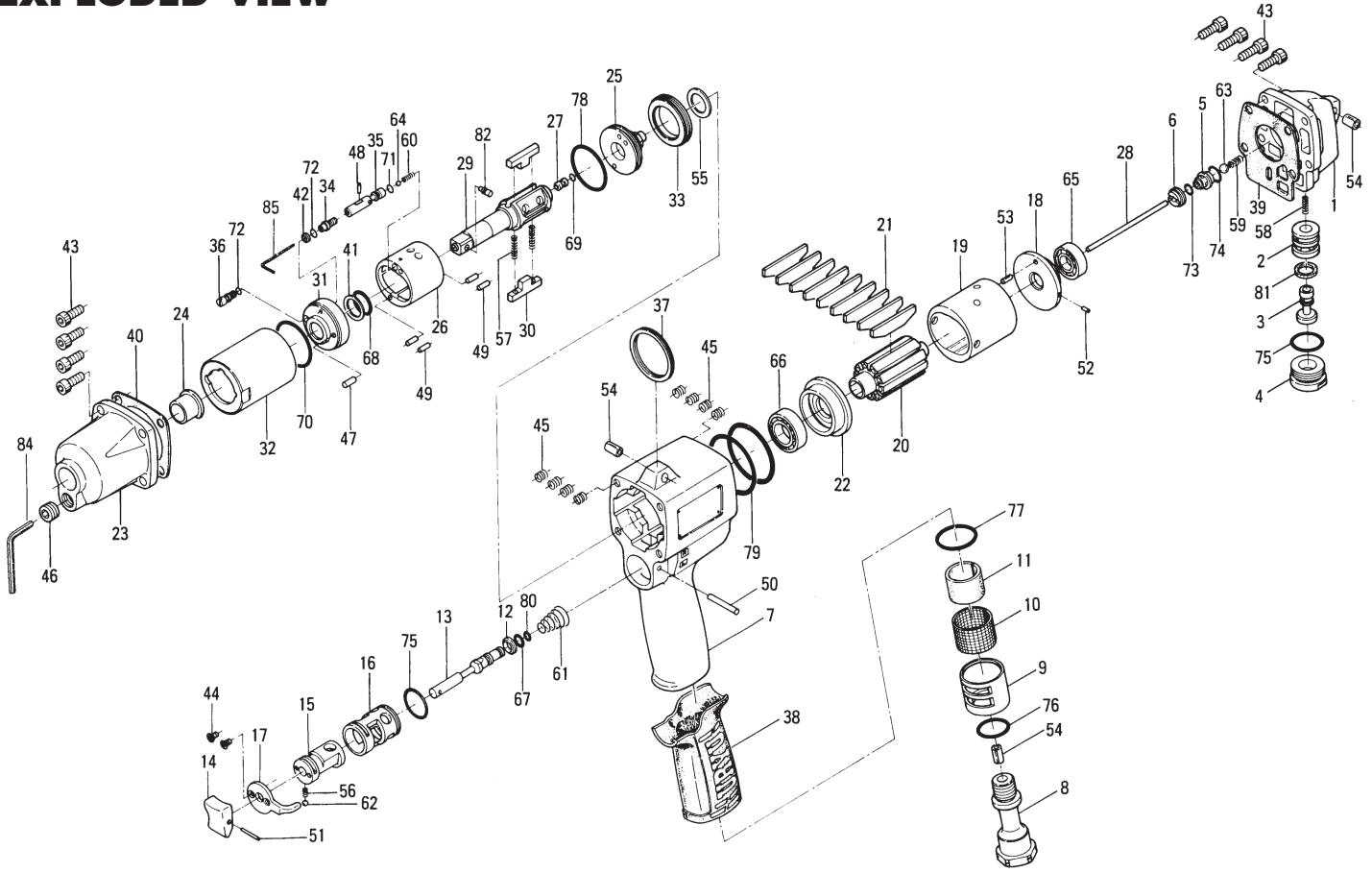


EXPLODED VIEW



PARTS LIST — FOR REFERENCE ONLY

Index Number	Part Number	Description	Qty.	Index Number	Part Number	Description	Qty.	Index Number	Part Number	Description	Qty.
1	151-012-4	Head Cover	1	31	174-904-2	Front Liner Plate	1	61	977-160-0	Cone Spring (7.4 x 14 x 20)	1
2	174-253-2	Shut-Off Valve Bushing	1	32	194-905-0	Liner Casing	1	62	981-002-0	Ball (1/8)	1
3	174-254-2	Shut-Off Valve	1	33	194-906-0	Liner Casing Setter	1	63	981-006-0	Ball (1/4)	1
4	175-927-9	Shut-Off Valve Cover	1	34	174-907-2	Relief Valve Spindle	1	64	981-001-0	Ball (3/32)	1
5	175-968-9	Pilot Valve Retainer	1	35	151-970-5	Relief Valve	1	65	982-402-0	Ball Bearing (EE-3)	1
6	175-019-9	Valve Cover	1	36	194-742-0	Oil Plug	1	66	982-903-0	Ball Bearing (6902)	1
7	151-025-4	Handle	1	37	004-790-2	Suspension Ring	1	67	990-002-0	O-Ring (P4)	1
8	173-091-0	Air Inlet Bushing	1	38	173-842-0	Handle Cover	1	68	990-152-0	O-Ring (P12) (NTN)	1
9	173-780-0	Exhaust Stack	1	39	151-853-4	Head Cover Packing	1	69	990-320-0	O-Ring (ARP568-003)	1
10	173-042-0	Silencer	1	40	194-867-0	Front Casing Packing	1	70	990-334-0	O-Ring (JW1530-24)	1
11	173-835-0	Filter	1	41	944-013-0	Supporting Ring (P12)	1	71	990-621-0	O-Ring (3.8 x 1.8 x 1.0)	1
12	173-100-0	Valve	1	42	944-203-0	Supporting Ring (3.1 x 5 x 1)	1	72	990-900-0	O-Ring (SNS-2)	2
13	173-104-0	Valve Rod	1	43	945-116-0	Allen Head Bolt (M5 x 16)	8	73	990-901-0	O-Ring (SNS-3)	1
14	177-107-5	Valve Lever	1	44	948-423-0	Allen Flush Head Bolt (M3 x 6)	2	74	990-907-0	O-Ring (SNS-9)	1
15	151-210-4	Reverse Valve	1	45	965-011-0	Helix-Sert (M5 x 1.50)	8	75	990-914-0	O-Ring (SNS-16)	2
16	151-211-4	Reverse Valve Bushing	1	46	966-100-0	Allen Head Plug (1/8)	1	76	990-916-0	O-Ring (SNS-18)	1
17	173-212-0	Reverse Valve Lever	1	47	969-449-0	Pin (G) (3 x 6)	1	77	990-921-0	O-Ring (SNS-22.4)	1
18	164-285-0	Rear Plate	1	48	970-013-0	Pin (H) (1.5 x 4)	1	78	990-923-0	O-Ring (SNS-26)	1
19	164-286-0	Cylinder	1	49	970-204-0	Pin (H) (3 x 6)	4	79	990-930-0	O-Ring (SNS-40)	2
20	151-287-4	Rotor	1	50	971-125-0	Pin (2 x 25)	1	80	990-972-0	O-Ring (SNS-4) (NOK)	1
21	164-288-0	Blade	9	51	973-014-0	Roll Pin (2 x 14)	1	81	996-418-0	Packing (15 x 9 x 1)	1
22	164-289-0	Front Plate	1	52	973-066-0	Roll Pin (2.5 x 6)	1	82	891-300-1	Socket Pin Assembly	1
23	194-439-0	Front Casing	1	53	973-068-0	Roll Pin (2.5 x 8)	1				
24	190-328-6	Anvil Bushing	1	54	973-340-0	Roll Pin (6 x 10)	3				
25	174-901-2	Rear Liner Plate	1	55	975-780-0	Adjusting Spacer (21 x 13 x T)	1				
26	174-902-2	Liner	1	56	976-006-0	Spring (3 x 5) (04)	1				
27	175-546-9	Piston	1	57	976-793-0	Spring (3.7 x 29) (0.5) WPC	2				
28	151-130-4	Piston Rod	1	58	976-072-0	Spring (4.5 x 10.5) (0.5)	1				
29	891-309-1	Anvil (OP-P)	1	59	976-275-0	Spring (6.7 x 12) (0.7)	1				
30	194-440-0	Driving Blade	2	60	976-279-0	Spring (2.6 x 8) (0.35)	1				

ACCESSORIES

84	939-104-0	Allen Wrench (5mm)	1
85	939-091-0	Allen Wrench (1.5mm) (80 x 20)	1

FOOTNOTES

AIMCO also offers a complete line of standard & special adapters, bits, sockets and extensions.



AIMCO

When ordering spare parts, please specify tool type, part number and description.

10000 SE PINE, PORTLAND, OR 97216
503-254-6600 FAX 503-255-2615