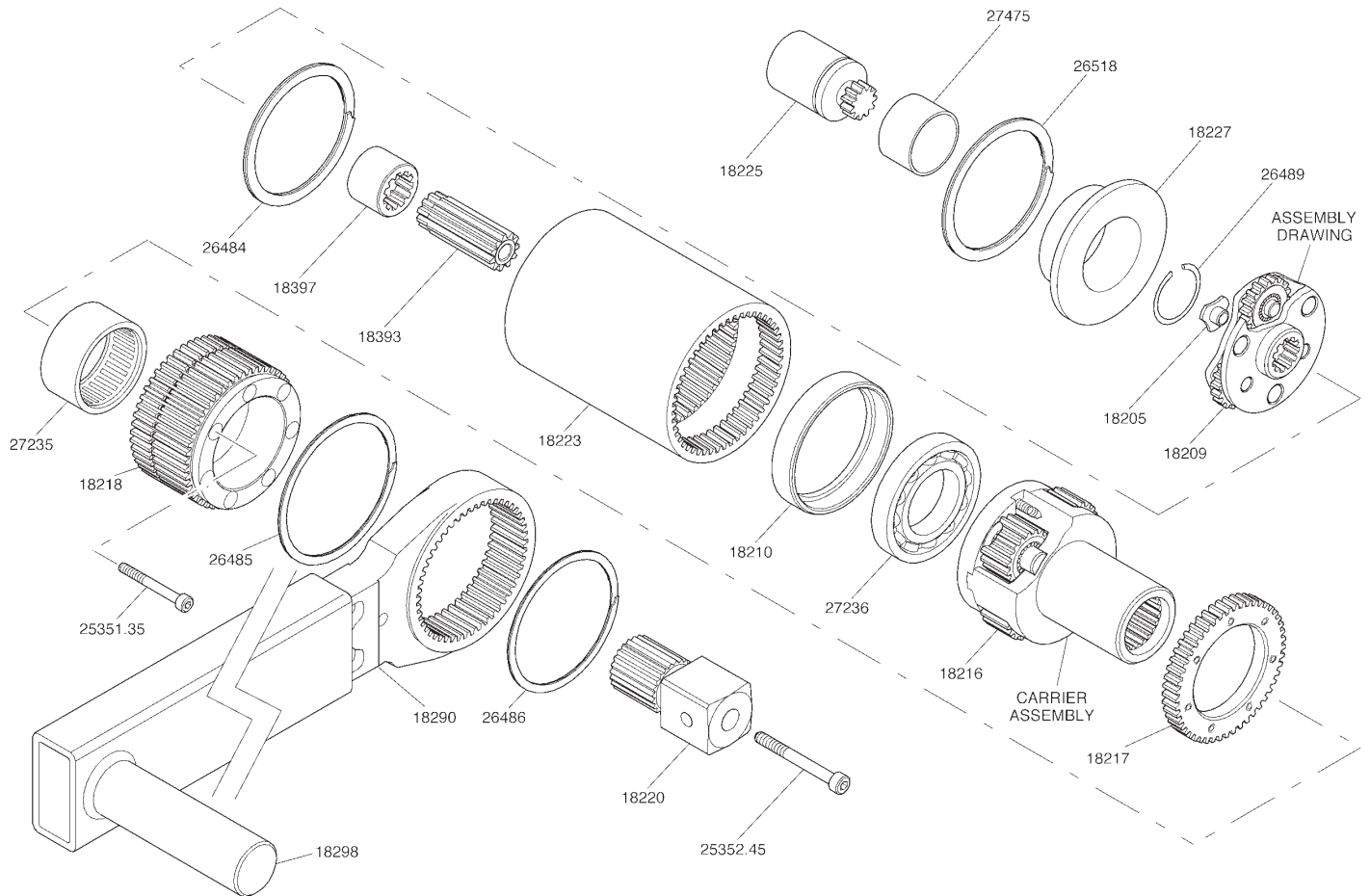


ATM-25-4 HAND TORQUE HT 1525:1 1 1/2" INPUT-1" OUTPUT

EXPLODED VIEW



PARTS LIST — FOR REFERENCE ONLY

Index Number	Description	Qty.	Index Number	Description	Qty.	Index Number	Description	Qty.
18205	RETENTION PLUG SUN GEAR 20DP	1	25351.35	SCREWS M4 x 35mm LONG	7			
18209	CARRIER ASSY MULTI-STAGE FINAL	1	25352.45	SCREWS M5 x 45mm LONG	1			
18210	HOUSING FOR BALL RACE	1	26484	CIRCLIP 60mm INTERNAL	1			
18216	CARRIER ASSY 5:1 FINAL STAGE	1	26485	CIRCLIP 64mm EXTERNAL	1			
18217	RET PLATE 20DP GEARFORM	1	26486	CIRCLIP 60mm EXTERNAL	1			
18218	BEARING NOSE 20DP	1	26489	CIRCLIP 29mm EXTERNAL	1			
18220	SQ DR 1" 20DP REPLACEABLE	1	26518	CIRCLIP 65mm INTERNAL	1			
18223	ANNULUS 20DP HT 25:1	1	27235	NEEDLE ROLLER BEARING	1			
18225	GEAR INPUT 20 DP SHORT 1/2"	1	27236	BALL RACE 30ID x 55OD x 9WIDE	1			
18227	COVERCAP 20 DP 1/2" GEAR	1	27475	BEARING BUSH PM3020DX	1			
18290	REACTION ADAPTOR SPLINED	1						
18298	REACTION TUBE WITH PEG	1						
18393	SUN GEAR FINAL PT2000	1						
18397	SUPPORT SLEEVE FOR 18393	1						



AIMCO

When ordering spare parts, please specify tool type, part number and description.

10000 SE PINE, PORTLAND, OR 97216
503-254-6600 FAX 503-255-2615