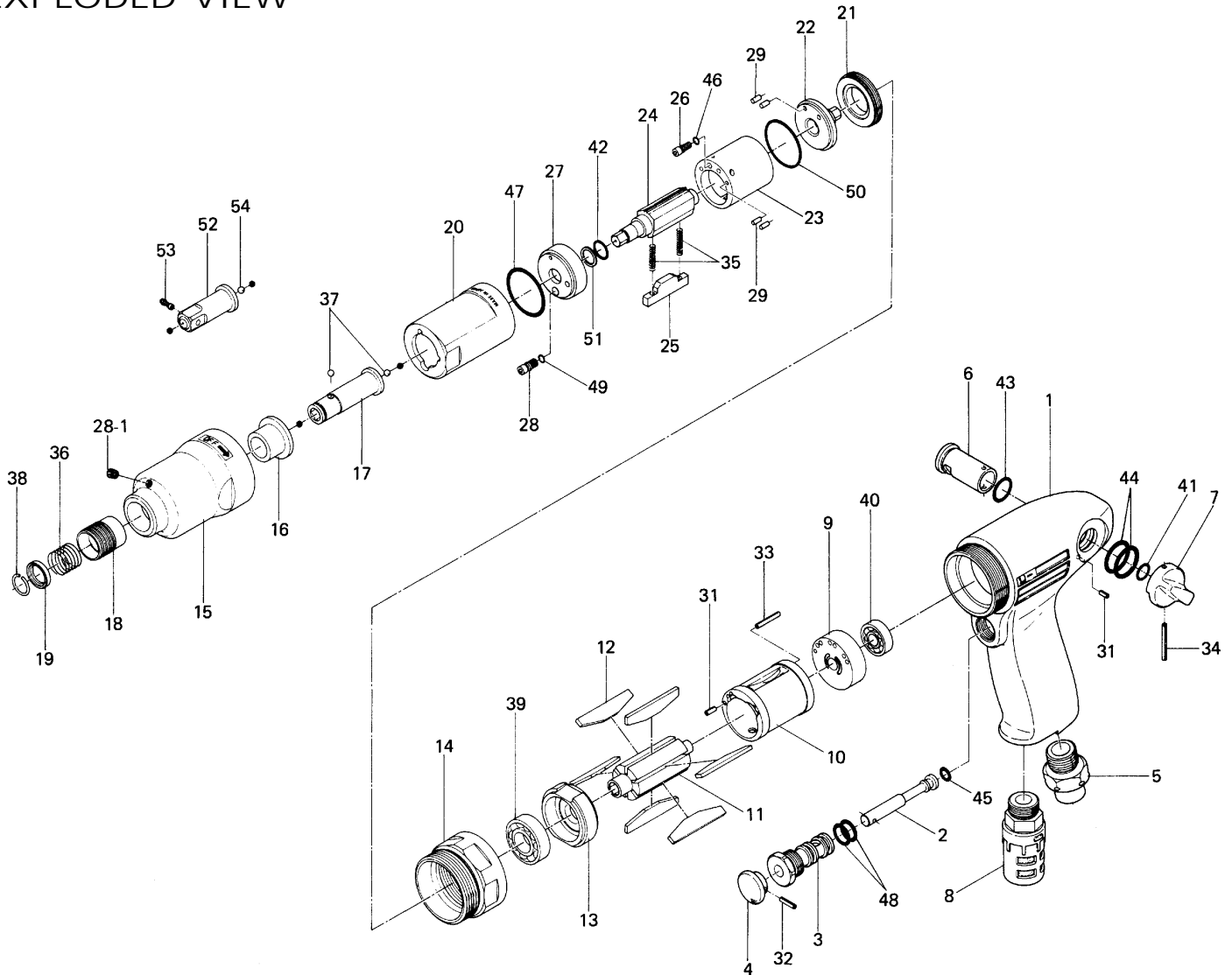


U-410D & U-410 U-WRENCH

EXPLODED VIEW



PARTS LIST — FOR REFERENCE ONLY

Index Number	Part Number	Description	Qty.	Index Number	Part Number	Description	Qty.	Index Number	Part Number	Description	Qty.		
1	191-025-5	Handle	1	22	197-901-7	Rear Liner Plate	1	42	990-951-0	O-Ring (PB) (NOK)	1		
2	603-100-2	Valve	1	23	191-902-6	Liner	1	43	990-007-0	O-Ring (P9)	1		
3	606-101-1	Valve Bushing	1	24	191-319-6	Anvil	1	44	990-014-0	O-Ring (P14)	2		
4	603-107-2	Throttle Trigger	1	25	198-440-1	Driving Blade	1	45	990-203-0	O-Ring (JW1516-3)	1		
5	191-091-5	Air Inlet Bushing	1	26	191-970-6	Relief Valve	1	46	990-320-0	O-Ring (ARP568-003)	1		
6	432-210-1	Reverse Valve	1	27	191-904-6	Front Liner Plate	1	47	990-331-0	O-Ring (JW1530-21)	1		
7	418-212-1	Reverse Lever	1	28	178-742-9	Oil Plug	1	48	990-610-0	O-Ring (8 x 2)	2		
8	191-885-5	Silencer Assembly	1	28-1	966-110-0	Allen Head Plug (PT1/16)	1	49	990-900-0	O-Ring (SNS-2)	1		
9	891-122-1	Rear Plate	1	29	970-091-0	Pin(H) (2 x 4.5)	4	50	990-919-0	O-Ring (SNS-22)	1		
10	418-286-1	Cylinder	1	30	969-449-0	Pin (G) (3 x 6)	1	51	944-007-0	Supporter Ring (7.85 x 11.1 x 1)	1		
11	191-287-6	Rotor	1	31	973-006-0	Roll Pin (2 x 6)	2	52	891-343-1	SQ Drive Anvil	1		
12	197-288-6	Blade	6	32	973-010-0	Roll Pin (2 x 10)	1	53	891-300-1	Socket Retainer Pin Assembly	1		
13	891-123-1	Front Plate	1	33	973-016-0	Roll Pin (2 x 16)	1	54	981-002-0	Ball (1/8)	1		
14	197-035-6	Handle Connector	1	34	973-022-0	Roll Pin (2 x 22)	1	ACCESSORIES					
15	191-439-7	Front Casing	1	35	976-216-0	Spring (2.8 x 15)	2	57	939-090-0	Allen Wrench (1.5mm) (55 x 55)	1		
16	190-328-6	Anvil Bushing	1	36	976-327-0	Spring (13.5 x 11)	1	58	939-104-0	Allen Wrench (5mm)	1		
17	197-350-0	Driver Anvil	1	37	981-002-0	Ball (1/8)	2	AIMCO also offers a complete line of standard & special adapters, bits, sockets and extensions.					
18	011-351-1	Bit Sleeve	1	38	978-117-0	Snap Ring (11.7 x 1.0)	1						
19	011-352-1	Bit Spacer	1	39	982-100-0	Ball Bearing (6000)	1						
20	191-905-6	Liner Casing	1	40	982-401-0	Ball Bearing (EE2)	1						
21	197-906-6	Liner Casing Setter	1	41	990-003-0	O-Ring (P5)	1						
											FOOTNOTES		
											○ = Parts for U-410		



When ordering spare parts, please specify tool type, part number and description.

10000 SE PINE, PORTLAND, OR 97216
503-254-6600 FAX 503-255-2615