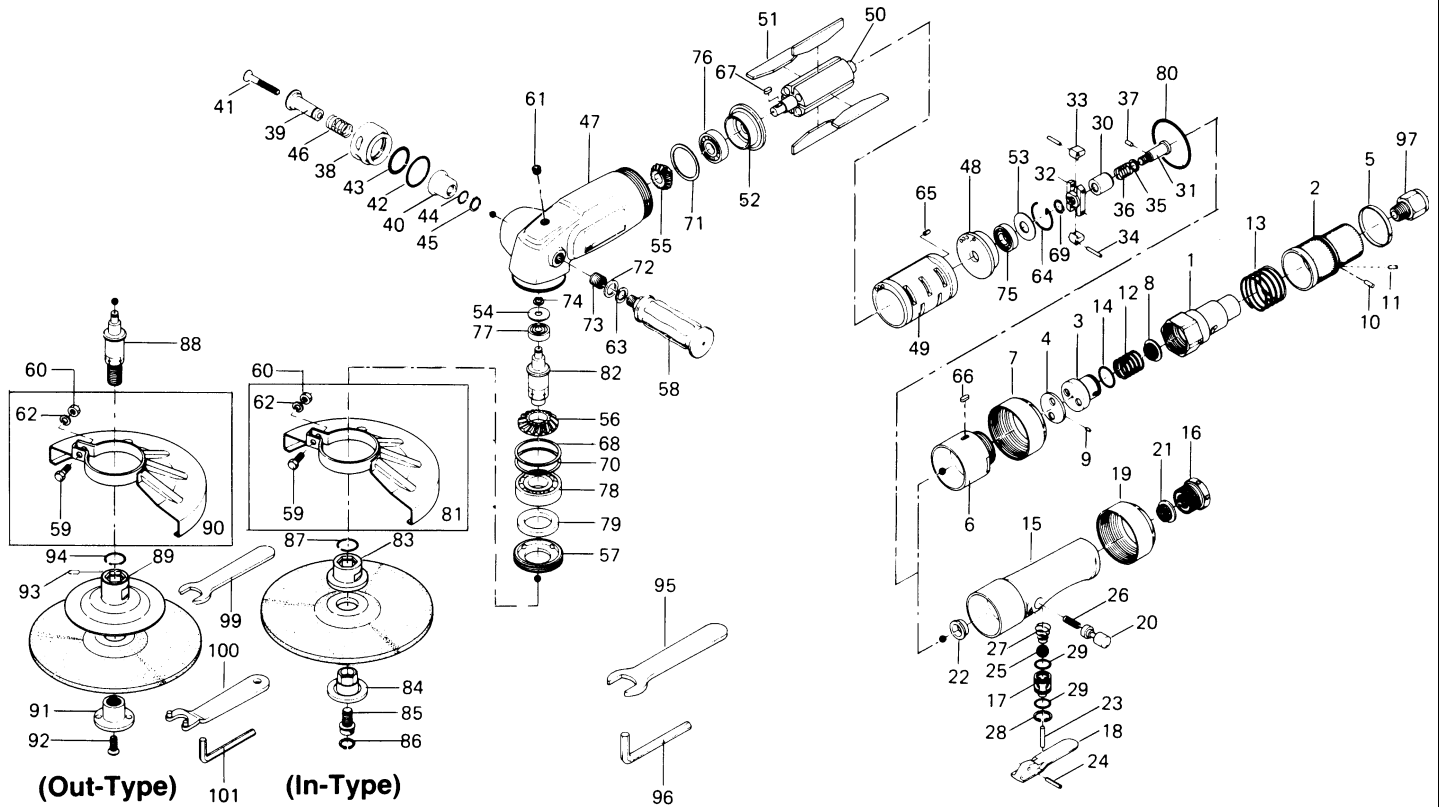


# UAG-70 SERIES AIR GRINDER

## EXPLODED VIEW



## PARTS LIST — FOR REFERENCE ONLY

Index Number	Part Number	Description	Qty.	Index Number	Part Number	Description	Qty.	Index Number	Part Number	Description	Qty.
1	591-014-6	Valve Body	1	36	976-340-0	Spring (13.3 x 19)	1	71	975-868-0	Adjusting Spacer (43 x 38 x T)	1
2	591-015-6	Valve Handle	1	37	970-205-0	Pin (H) (3 x 7)	1	72	975-095-0	Spacer (18 x 13 x 1)	1
3	591-100-6	Valve	1	38	591-780-7	Exhaust Stack	1	73	965-058-0	Helix-Sert (M12 x 1)	1
4	591-102-6	Valve Seat	1	39	591-787-7	Exhaust Cover Retainer	1	74	979-104-0	Outer Snap Ring (7)	1
5	591-670-6	Band	1	40	591-782-6	Exhaust Cover	1	75	982-141-0	Ball Bearing (6001Z)	1
6	591-729-6	Handle Body Connector	1	41	948-568-0	Allen Flush Head Bolt (M6 x 45)	1	76	982-241-0	Ball Bearing (6201Z)	1
7	591-736-7	Valve Body Nut	1	42	990-927-0	O-Ring (SNS-34)	1	77	982-022-0	Ball Bearing (627)	1
8	573-835-9	Filter	1	43	990-503-0	O-Ring (G-30)	1	78	982-244-0	Ball Bearing (6204Z)	1
9	970-204-0	Pin (H) (3 x 6)	1	44	990-911-0	O-Ring (SNS-12)	1	79	993-040-0	Felt Ring (28 x 42 x 5)	1
10	972-108-0	Roller Pin (4 x 8)	1	45	979-109-0	Outer Snap Ring (12)	1	80	990-939-0	O-Ring (SNS-50)	1
11	973-008-0	Roll Pin (2 x 8)	1	46	976-358-0	Spring (14.4 x 26)	1	81	591-770-6	Wheel Guard	1 ●
12	976-533-0	Spring (23 x 20)	1	47	591-025-7	Casing	1	82	591-390-6	Wheel Spindle (IN)	1 ●
13	976-736-0	Spring (40.5 x 25)	1	48	591-285-6	Cylinder Rear Plate	1	83	591-393-6	Wheel Holder Flange	1 ●
14	990-919-0	O-Ring (SNS-22)	1	49	591-286-6	Cylinder	1	84	591-394-6	Wheel Nut Flange	1 ●
15	591-014-7	Handle (Lever Type)	1	50	591-287-6	Rotor	1	85	945-993-0	Hexagon Socket Flange Head Bolt (M10 x 18)	1 ●
16	519-091-6	Air Inlet Bushing	1	51	591-288-6	Blade	4	86	979-317-0	Inner Snap Ring (IRWT-17)	1 ●
17	591-101-7	Valve Bushing	1	52	591-289-7	Front Plate	1	87	978-209-0	Snap Ring (21 x 1.2)	1 ●
18	593-107-3	Valve Lever	1	53	591-291-6	Cylinder Rear Plate Spacer	1	88	591-390-3	Wheel Spindle (OUT)	1 *
19	591-736-7	Valve Body Nut	1	54	537-391-0	Wheel Spindle Rear Cover	1	89	564-393-4	Wheel Holder Flange	1 *
20	585-765-1	Safety Pin	1	55	591-420-7	Driving Gear	1	90	591-770-3	Wheel Guard	1 *
21	573-835-9	Filter	1	56	591-430-7	Driven Gear	1	91	518-394-7	Wheel Nut Flange	1 *
22	591-171-7	Governor Valve Bushing	1	57	591-065-6	Casing Front Cover	1	92	948-453-0	Allen Head Screw (M6 x 18)	1 *
23	970-322-0	Pin (H) (4 x 23)	1	58	566-720-2	Dead Handle	1	93	973-122-0	Roll Pin (3 x 22)	1 *
24	973-174-0	Roll Pin (3.5 x 24)	1	59	946-222-0	Hexagon Head Bolt (M6 x 22)	1	94	979-361-0	Inner Snap Ring (ISTW-20)	1 *
25	981-214-0	Ball (1/2)	1	60	960-041-0	Hexagon Head Nut (1-M6)	1				
26	976-114-0	Spring (6 x 18)	1	61	966-100-0	Allen Head Plug (1/8)	1				
27	977-260-0	Cone Spring (10 x 16 x 16)	1	62	962-009-0	Spring Washer (2-6S)	1				
28	979-011-0	Inner Snap Ring (18)	1	63	962-013-0	Spring Washer (2-12S)	1				
29	990-913-0	O-Ring (SNS-15)	2	64	978-338-0	Snap Ring (34 x 1.2)	1				
30	591-170-8	Governor Valve	1	65	973-108-0	Roll Pin (3 x 8)	1				
31	591-176-7	Governor Spindle	1	66	974-001-0	Key (3 x 2.5 x 11)	1				
32	591-181-7	Governor Cage	1	67	974-008-0	Key (3 x 8)	1				
33	591-183-6	Governor Weight	2	68	975-376-0	Spacer (47 x 43 x 1)	1				
34	973-120-0	Roll Pin (3 x 20)	2	69	975-027-1	Spacer (12 x 8.5 x 1)	1				
35	975-728-0	Adjusting Spacer (13 x 10 x T)	1	70	975-881-0	Adjusting Spacer (47 x 43 x T)	1				

### ACCESSORIES

95	936-005-0	Spanner (24 x 5 x 195)	1
96	939-006-0	Allen Wrench (8mm)	1
97	942-123-0	Connecting Screw (3/8 x NPT3/8)	1
99	936-524-0	Spanner (24)	1
100	938-057-0	Spanner (6 x 30 x 17)	1
101	939-105-0	Allen Wrench (4mm)	1

### FOOTNOTES

- = Parts for 591-003-6 Handle Assembly (Roll Type)
- = Parts for 591-003-7 Handle Assembly (Lever Type)
- ✕ = Parts for 591-893-6 Governor Cage Assembly
- ▼ = Parts for 591-885-6 Silencer Assembly
- = Parts for UAG-70 (IN-Type)
- \* = Parts for UAG-70 (OUT-Type)



When ordering spare parts, please specify tool type, part number and description.

10000 SE PINE, PORTLAND, OR 97216  
503-254-6600 FAX 503-255-2615