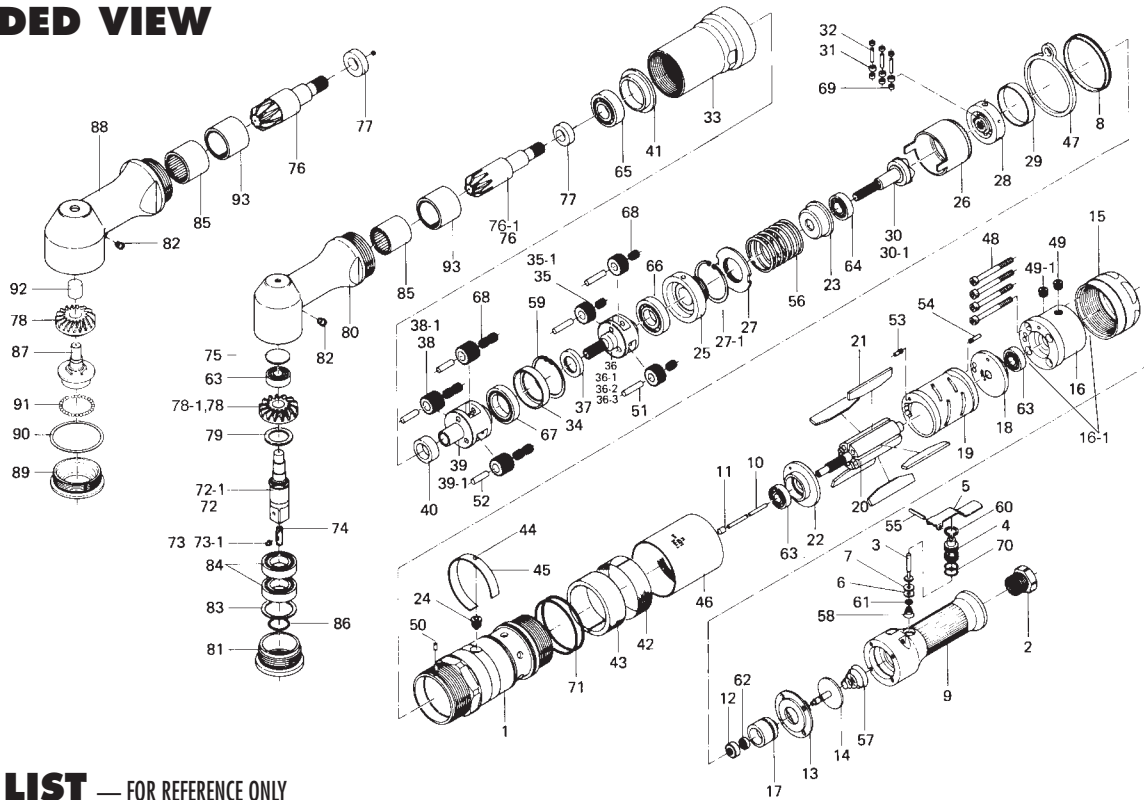


UAN-950 SERIES ANGLE NUTRUNNERS [MECHANICAL CLUTCH CUT TYPE]

EXPLODED VIEW



PARTS LIST — FOR REFERENCE ONLY

Index Number	Part Number	Description	Qty.
1	265-025-0	Handle	1
2	592-091-2	Air Inlet Rushing	1
3	265-100-0	Valve	1
4	265-101-0	Valve Bushing	1
5	551-107-0	Valve Lever	1
6	548-120-3	Valve Packing Spacer	1
7	548-872-3	Valve Packing	1
8	265-282-0	Handle Bushing	1
9	265-014-0	Valve Body	1
10	265-104-0	Valve Rod	1
11	265-103-0	Valve Rod Bushing	1
12	265-106-0	Valve Rod Cap	1
13	265-253-0	Shut-off Valve Bushing	1
14	265-254-0	Shut-off Valve	1
15	265-736-0	Valve Body Nut	1
16	265-012-0	Head Cover	1
16-1	265-853-0	Casing Cover Packaging	2
17	265-309-0	Head Cover Bushing	1
18	265-285-0	Rear Plate	1
19	265-286-1	Cylinder	1
20	265-287-0	Rotor	1
21	265-288-0	Blade	5
22	265-289-0	Front Plate	1
23	265-164-0	Spring Setter	1
24	265-242-0	Torque Adjuster	1
25	265-256-0	Adjusting Shaft	1
26	265-258-1	Adjusting Ring	1
27	265-269-0	Adjusting Shaft Nut	1
27-1	979-368-0	Inner Snap Ring (28)	1
28	265-344-1	Cam Setter	1
29	265-345-0	Cam Setter Bushing	1
31	265-651-1	Cam Roller	3
32	265-652-0	Cam Roller Pin	3
33	265-029-0	Gear Casing	1
34	265-380-0	Bearing Retainer Bushing	1
37	265-482-0	First Gear Cage Spacer	1
40	265-489-0	Second Gear Cage Spacer	1
41	265-490-0	Gear Cage Bearing Collar	1
42	265-042-0	Silencer	1
43	265-099-0	Exhaust Stack	1
44	265-562-1	Stopper	1
45	265-564-1	Stopper Cover	1
46	265-782-1	Exhaust Cover	1
47	265-790-1	Suspension Ring	1
48	945-150-0	Allen Head Bolt (M5 x 50)	4
49	966-100-0	Allen Head Plug (1/8)	1
49-1	952-110-0	Allen Head Dog Point Screw (4 x 12)	1

Index Number	Part Number	Description	Qty.
50	970-204-0	Pin (H) (3 x 6)	1
51	972-220-0	Roller Pin (6 x 20)	3
52	972-228-0	Roller Pin (6 x 27.5)	3
53	969-451-0	Pin (3 x 10)	1
54	969-454-0	Pin (3 x 16)	1
55	973-124-0	Roll Pin (3 x 24)	1
56	976-741-0	Spring (41.5 x 40)	1
57	977-069-0	Cone Spring (5 x 12.5 x 10)	1
58	977-177-0	Cone Spring (7.8 x 26 x 25)	1
59	979-039-0	inner Snap Ring (46)	1
60	979-315-0	inner Snap Ring (IRTW-15)	1
61	979-405-0	Outer Snap Ring (E2.5)	1
62	987-026-0	Miniature Ball Bearing (R1240F)	1
63	982-100-0	Ball Bearing (6000)	2
64	982-101-0	Ball Bearing (6001)	1
65	982-104-0	Ball Bearing (6004)	1
66	982-405-0	Ball Bearing (EE6)	1
67	962-906-0	Ball Bearing (6905)	1
68	988-380-0	Needle Roller Bearing (P68)	9
69	988-090-0	Needle Roller Bearing (B-24)	6
70	990-909-0	O-Ring (SNS11.2)	2
71	990-942-0	O-Ring (SNS56)	2

Angle Head Section for STANDARD type

72	265-319-3	Anvil (5/8)	1	■
73	895-040-1	Socket Retainer Pin	1	■
72-1	266-319-0	Anvil (1/2)	1	◆
73-1	891-110-1	Socket Retainer Pin	1	◆
74	891-111-1	Socket Retainer Pin Rubber	1	
75	265-330-0	Anvil Rear Plate	1	
76	265-420-1	Driving Gear	1	
77	263-421-2	Driving Gear Bushing	1	
78	265-430-0	Driven Gear	1	
79	265-433-0	Driven Gear Spacer	1	
80	265-441-0	Angle Head Casing	1	
81	265-488-1	Angle Head Casing Cover	1	
82	968-130-0	Grease Cup (3/16)	1	
83	975-838-0	Adjusting Spacer (36.8 x 30 x T)	1	
63	982-100-0	Ball Bearing (6000)	1	
84	982-905-0	Ball Bearing (6904)	2	
85	988-494-0	Needle Roller Bearing (HMK2428)	1	
86	990-918-0	O-Ring (SNS20)	1	
93	265-931-0	Needle Retainer	1	

Angle Head Section for FLUSH-HEAD type

87	265-319-6	Socket Anvil (17)	1
76	264-420-1	Driving Gear	1

Index Number	Part Number	Description	Qty.
77	263-421-2	Driving Gear Bushing	1
78	264-430-2	Driven Gear	1
88	264-441-5	Angle Head Casing	1
89	265-488-6	Angle Head Casing Cover	1
82	968-130-0	Grease Cup (3/16)	1
90	975-895-0	Adjusting Spacer (56 x 50 x T)	1
91	981-033-0	Ball (5/32)	1
92	988-345-0	Needle Roller Bearing (BK1015)	1
93	265-931-0	Needle Retainer	1
85	988-494-0	Needle Roller Bearing (HMK2428)	1

Parts for UAN-950-12C, UAN-950F-12C

30	265-374-0	Cam Shaft	1
35	265-470-0	First Planet Gear	3
36	265-480-0	First Gear Cage	1
38	265-471-0	Second Planet Gear	3
39	265-485-2	Second Gear Cage	1

Parts for UAN-950-14C, UAN-950F-14C

30	265-374-0	Cam Shaft	1
35	265-470-0	First Planet Gear	3
36-1	265-480-1	First Gear Cage	3
38-1	265-471-1	Second Planet Gear	3
39-1	265-485-1	Second Gear Cage	1

Parts for UAN-950-16C, UAN-950F-16C

30-1	265-374-2	Cam Shaft	1
35-1	265-470-2	First Planet Gear	3
36-2	265-480-2	First Gear Cage	3
38	265-471-0	Second Planet Gear	3
39	265-485-0	Second Gear Cage	1

Parts for UAN-950F-19C

30-1	265-374-2	Cam Shaft	1
35-1	265-470-2	First Planet Gear	3
36-3	265-480-3	First Gear Cage	3
38-1	265-471-1	Second Planet Gear	3
39-1	265-485-1	Second Gear Cage	1

Parts for UAN-950-19C

76-1	264-420-1	Driving Gear	1
78-1	264-430-2	Driven Gear	1

ACCESSORIES

94	939-105-0	Allen Wrench (4mm)	1
----	-----------	--------------------	---

FOOTNOTES

- = For UAN-950-12C and 14C-16C
- ◆ = For UAN-950-19C

AIMCO also offers a complete line of standard & special adapters, bits, sockets and extensions.



When ordering spare parts, please specify tool type, part number and description.
10000 SE PINE, PORTLAND, OR 97216
503-254-6600 FAX 503-255-2615