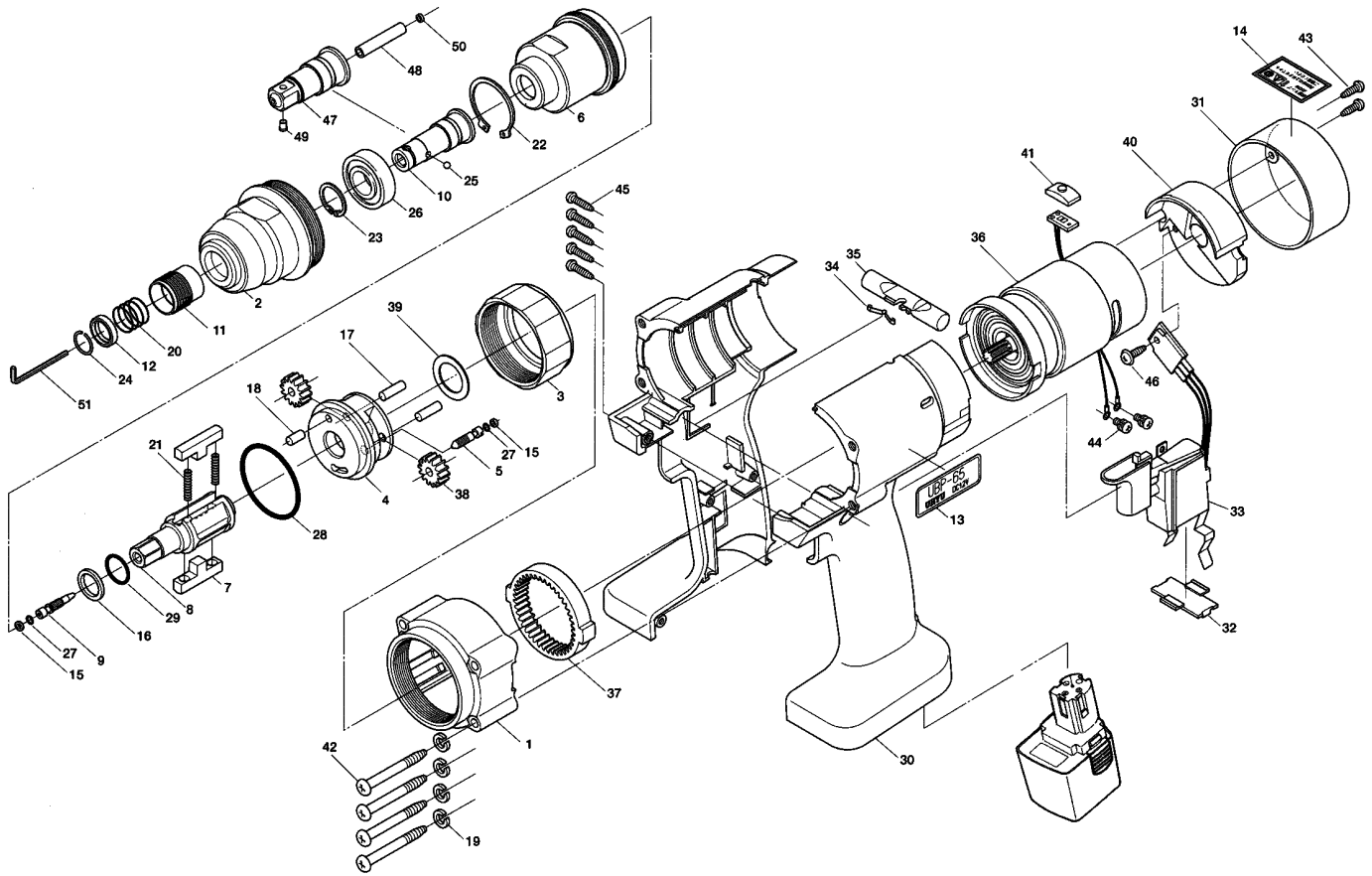


UBP-65 BATTERY PULSE TOOL

EXPLODED VIEW



PARTS LIST — FOR REFERENCE ONLY

Index Number	Part Number	Description	Qty.	Index Number	Part Number	Description	Qty.	Index Number	Part Number	Description	Qty.
1	158-065-6	Handle Front Cover	1	24	978-117-0	Snap Ring (11.7X1.0)	1	45	861-493-1	Screw (3X20)	5 ●
2	158-439-6	Front Casing	1	25	981-002-0	Ball (1/8)	1	46	861-494-1	Screw (2.6X8)	1 ●
3	158-081-6	Connecting Nut	1	26	982-923-0	Ball Bearing (6902ZZ)	1	Parts for Pin Type Anvil			
4	861-471-1	Rear Liner Plate	1	27	990-320-0	O-Ring (ARP568-003)	2	47	891-558-1	Socket Spindle Assembly	1
5	861-475-1	Oil Plug	1	28	990-982-0	O-Ring (SNS32)(NOK)	1	48	891-559-1	Pipe	1
6	861-472-1	Liner	1	29	992-020-0	SU-Ring (Q12)(NTN)	1	49	891-560-1	Socket Snap Pin	1
7	861-474-1	Driving Blade	2	Parts for 861-477-1 Handle Assembly (EZ2630)				50	975-001-0	Spacer (6X2.8X3)	1
8	158-319-6	Anvil	1	30	861-478-1	Handle Set	1 ●	Standard Accessories			
9	158-907-6	Relief Valve Spindle	1	31	861-479-1	Head Cover	1 ●	51	939-091-0	Allen Wrench (1.5 mm)	1
10	158-350-6	Driver Anvil	1	32	861-480-1	Shielded Plate	1 ●	Notes:			
11	011-351-1	Bit Sleeve	1	33	861-481-1	Switch	1 ●	861-477-1 Handle Assembly (EZ26603) components are marked with ●			
12	011-352-1	Bit Spacer	1	34	861-482-1	Plate Spring	1 ●	Recommended Battery Charger: Panasonic Model EY0230B (AC230V)			
13	158-924-7	Name Plate	1	35	861-483-1	Reverse Lever	1 ●	Recommended Battery Pack: Panasonic Model EY9200B			
14	158-995-6	Name Plate (Warning)	1	36	861-484-1	Motor with Thermal Coupler	1 ●				
15	944-002-0	Supporting Ring (2.6X4.5X1)	2	37	861-485-1	Internal Gear	1 ●				
16	944-013-0	Back-Up Ring (P-12)	1	38	861-486-1	Planet Gear	2 ●				
17	972-109-0	Roller Pin (4X12.8)	2	39	861-487-1	Gear Cage Spacer	1 ●				
18	972-105-0	Roller Pin (3.5X5)	1	40	861-488-1	Heat Sink	1 ●				
19	962-006-0	Spring Washer (2-4S)	4	41	861-489-1	LED	1 ●				
20	976-327-0	Spring (13.5X11)	1	42	861-490-1	Tapping Screw (K4X45)	4 ●				
21	976-433-0	Spring 3.7X28 (0.45)	2	43	861-491-1	Screw (K3X10)	2 ●				
22	979-327-0	Inner Snap Ring (IRTW-28)	1	44	861-492-1	Screw (M3X5)	2 ●				
23	979-356-0	Inner Snap Ring (ISTW-15)	1								



AIMCO

When ordering spare parts, please specify tool type, part number and description.

10000 SE PINE, PORTLAND, OR 97216
503-254-6600 FAX 503-255-2615

AIMCO also offers a complete line of standard & special adapters, bits, sockets and extensions.