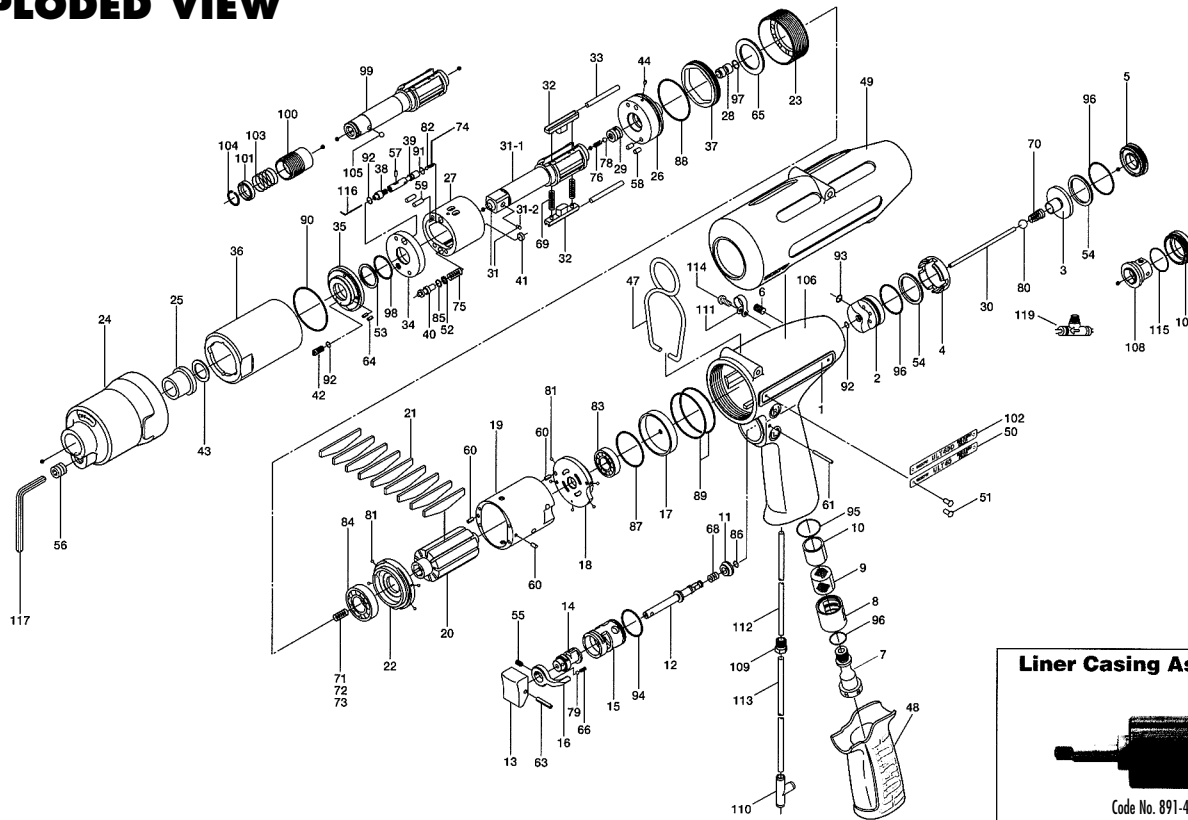


ULT40(D) SERIES OIL-PULSE WRENCHES

EXPLODED VIEW



Liner Casing Assembly



Code No. 891-461-1

Code No. 147-911-0 for ULT40D

PARTS LIST — FOR REFERENCE ONLY

Index Number	Part Number	Description	Qty.	Index Number	Part Number	Description	Qty.	Index Number	Part Number	Description	Qty.
1	145-025-0	Handle	1	40	145-972-6	Accumulator	1	85	990-320-0	O-Ring (ARPS68-003)	1
2	145-253-0	Shut-off Valve Bushing	1	41	145-908-7	Accumulator Cover	1	86	990-306-0	O-Ring (APRS68-004H)	1
3	145-254-6	Shut-off Valve	1	42	194-742-0	Oil Plug	1	87	990-327-0	O-Ring (JW1530-18)	1
4	145-684-6	Cushion Spacer	1	43	145-327-6	Anvil Front Spacer	1	88	990-329-0	O-Ring (JW1530-19)	1
5	145-019-6	Valve Cover	1	44	150-064-5	Plug	1	89	990-337-0	O-Ring (JW1530-27)	2
6	150-108-5	Valve Plug	1	47	174-790-0	Suspension Ring	1	90	990-605-0	O-Ring (25x1.45)	1
7	147-091-2	Air Inlet Bushing	1	48	147-842-2	Handle Cover	1	91	990-621-0	O-Ring (3.8x1.8x1.0)	1
8	147-780-3	Exhaust Stack	1	49	145-840-7	Casing Cover	1	92	990-900-0	O-Ring (SNS-2)	3
9	147-042-2	Silencer	1	50	148-924-0	Name Plate	1	93	990-901-0	O-Ring (SNS-3)	1
10	147-835-3	Filter (K200)	1	51	930-205-0	Filter (No.Dx2.6)	2	94	990-912-0	O-Ring (SNS-14)	1
11	147-100-2	Valve	1	52	944-002-0	Support Ring (2.6x4.5x1)	1	95	990-914-0	O-Ring (SNS-16)	1
12	142-104-6	Valve Rod	1	53	944-212-0	Support Ring (1.2x1.6x1.5)	1	96	990-916-0	O-Ring (SNS-18)	3
13	147-107-2	Valve Lever	1	54	944-217-0	Support Ring (1.4x2.0x1.8)	2	97	990-305-0	O-Ring (ARPS68-003KS)	1
14	147-210-2	Reverse Valve	1	55	952-106-0	Allen Head Dog Point Screw (M4x6)	1	98	992-020-0	SU-Ring (012) NTN	1
15	147-211-2	Reverse Valve Bushing	1	56	966-099-0	Allen Head Plug (NPT1/16) GDL	1	PARTS FOR ULT40D			
16	480-212-8	Reverse Lever	1	57	970-013-0	Pin (H) (1.5x4)	1	99	145-350-2	Driver Anvil	1
17	145-291-7	Rear Plate Spacer	1	58	970-130-0	Pin (H) (2.45x4.5)	2	100	011-351-1	Bit Sleeve (1/8)	1
18	145-285-6	Rear Plate	1	59	970-131-0	Pin (H) (2.45x9.5)	2	101	011-352-1	Bit Spacer	1
19	147-286-0	Cylinder	1	60	971-102-0	Pin (2x3.8)	1	102	147-924-0	Name Plate	1
20	145-287-0	Rotor	1	61	971-123-0	Pin (H) (2.5x2.3)	1	103	976-327-0	Spring (13.5x11x0.9)	1
21	145-288-0	Blade (PC)	9	62	973-008-0	Roll Pin (2x8)	2	104	978-117-0	Snap Ring (11.7x1)	1
22	145-289-6	Front Plate	1	63	973-014-0	Roll Pin (2x1.4)	1	105	981-002-0	Ball (1/8)	1
23	147-036-2	Hammer Casing Connector	1	64	973-040-0	Roll Pin (1.5x5)	2	PARTS FOR TM-TYPE			
24	145-439-0	Front Casing	1	65	975-752-0	Adjusting Spacer (15x10x)	1	106	851-030-1	Handle	1
25	190-328-6	Anvil Bushing	1	66	976-006-0	Spring (3x5x0.4)	1	107	851-017-1	Valve Cover	1
26	145-901-0	Rear Liner Plate	1	68	976-457-0	Spring (7x12x0.9)	1	108	851-050-1	Valve Spacer	1
27	145-902-0	Liner	1	69	976-791-0	Spring (3.2x21 x0.4) WPC	2	109	850-610-1	Connecting Screw	1
28	145-546-6	Piston	1	70	977-041-0	Cone Spring (3.9x4.5x9x0.35)	1	110	909-442-0	Quick Exhaust (AQ240F-04-00)	1
29	145-929-6	Check Valve Cover	1	71	976-650-0	Spring (3.3x16x0.45) [Standard]	1	111	929-050-0	Coupling (Dia. 3)	1
30	145-130-0	Operating Rod (2.1x51.2)	1	72	976-661-0	Spring (3.3x17x0.4) Black [Weak]	1	112	935-240-0	Nylon Tube (1.8NY)	1
31	891-554-1	Anvil Assembly (P)	1	73	976-684-0	Spring (3.3x17x0.35) [Weaker]	1	113	935-350-0	Polyurethane Hose (F-1504)	1
31-1	145-319-0	Anvil (O)	1	74	976-685-0	Spring (2.8x7x0.35)	1	114	957-006-0	Cross Pan Head Screw (M3x6)	1
31-2	891-300-1	Socket Pin Assembly	1	75	976-674-0	Spring (4.3x14x0.55)	1	115	990-916-0	O-Ring (SNS-18)	1
32	145-440-0	Driving Blade	2	76	976-651-0	Spring (2.4x5x0.23)	1	ACCESSORIES			
33	145-974-0	Roller (2.5x21)	2	78	981-001-0	Ball (3/32)	1	116	939-091-0	Allen Wrench (1.5x80x20)	1
34	145-973-6	Liner Casing Spacer	1	79	981-002-0	Ball (1/8)	1	117	939-105-0	Allen Wrench (4)	1
35	145-904-6	Front Liner Plate	1	80	981-003-0	Ball (5/32)	1	119	909-449-0	Speed Controller (AS1001F-04)	1
36	145-905-0	Liner Casing	1	81	981-045-0	Ball (1.5)	9				
37	145-906-6	Liner Casing Cover	1	82	981-150-0	Ball (3)	1				
38	145-907-6	Relief Valve Spindle	1	83	982-014-0	Ball Bearing (607)	1				
39	147-970-0	Relief Valve	1	84	982-902-0	Ball Bearing (6901)	1				



AIMCO

When ordering spare parts, please specify tool type, part number and description.

10000 SE PINE, PORTLAND, OR 97216
503-254-6600 FAX 503-255-2615

FOOTNOTES

AIMCO also offers a complete line of standard & special adapters, bits, sockets and extensions.