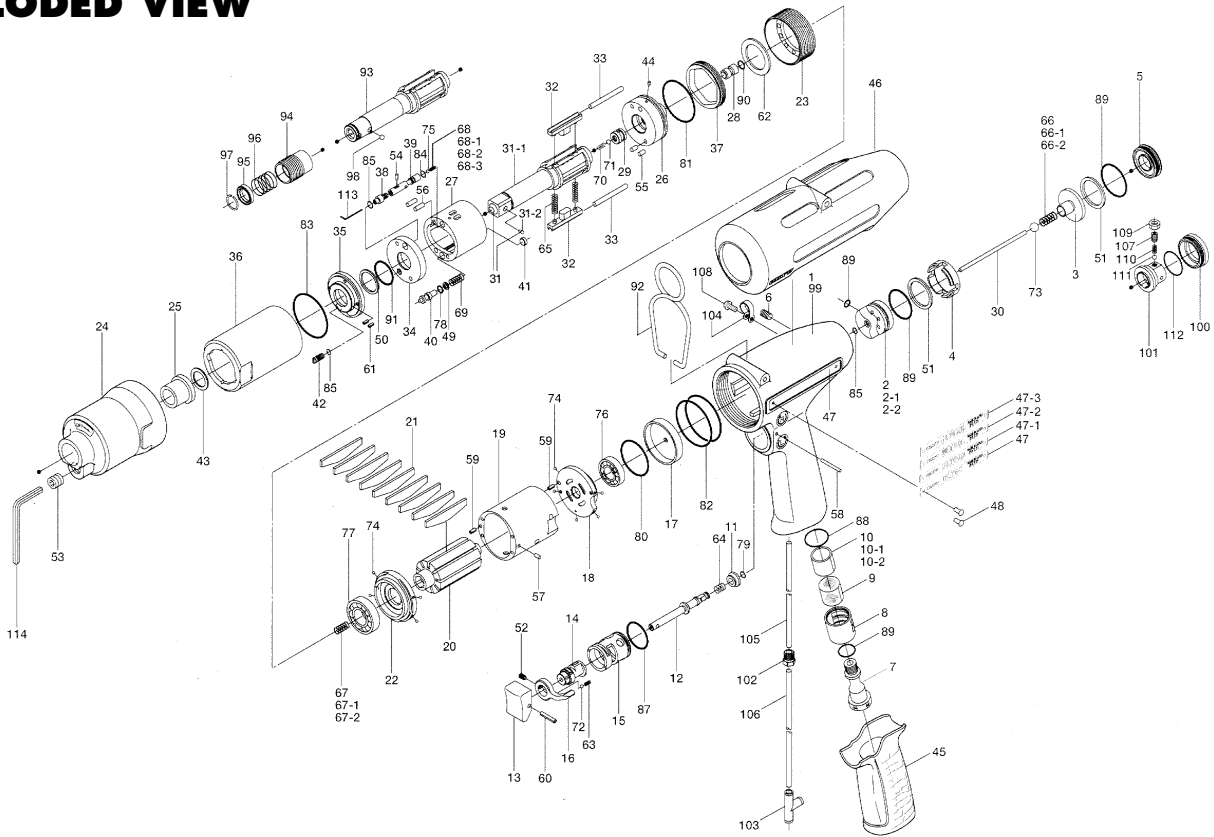


# ULT60(D) SERIES OIL-PULSE WRENCHES

## EXPLODED VIEW



## PARTS LIST — FOR REFERENCE ONLY

Index Number	Part Number	Description	Qty.
1	145-025-6	HANDLE	1
2	145-253-6	SHUT-OFF VALVE BUSHING	1
2-1	145-253-8	SHUT-OFF VALVE BUSHING FOR ULT60L	1
2-2	145-253-9	SHUT-OFF VALVE BUSHING FOR ULT60DL	1
3	145-254-6	SHUT-OFF VALVE	1
4	145-684-6	CUSHION SPACER	1
5	145-019-6	VALVE COVER	1
6	150-108-5	VALVE PLUG	1
7	147-091-2	AIR INLET BUSHING	1
8	147-780-3	EXHAUST DEFLECTOR	1
9	147-042-2	SILENCER	1
10	145-835-6	FILTER (K50)	1
10-1	145-835-8	FILTER (K100) FOR ULT60L	1
10-2	145-835-8	FILTER (K100) FOR ULT60DL	1
11	147-100-2	VALVE	1
12	142-104-6	VALVE ROD	1
13	147-107-2	VALVE LEVER	1
14	147-210-2	REVERSE VALVE	1
15	147-211-2	REVERSE VALVE BUSHING	1
16	480-212-8	REVERSE LEVER	1
17	145-291-6	REAR PLATE SPACER	1
18	145-285-6	REAR PLATE	1
19	145-286-6	CYLINDER	1
20	145-287-6	ROTOR	1
21	147-288-2	BLADE (PC)	9
22	145-289-6	FRONT PLATE	1
23	147-036-2	HAMMER CASING CONNECTOR	1
24	145-439-7	FRONT CASING	1
25	190-328-6	ANVIL BUSHING	1
26	145-901-6	REAR LINER PLATE	1
27	145-902-6	LINER	1
28	145-546-6	PISTON	1
29	145-929-6	CHECK VALVE COVER	1
30	145-130-6	OPERATING ROD (2.1X57.2)	1
31	891-552-1	ANVIL CP (P)	1
31-1	145-319-6	ANVIL (O)	1
31-2	891-300-1	SOCKET PIN ASSEMBLY (3/8)	1
32	145-440-6	DRIVING BLADE	2
33	145-974-6	ROLLER PIN (2.5X26)	2
34	145-973-6	LINER CASING SPACER	1
35	145-904-6	FRONT LINER PLATE	1
36	145-905-6	LINER CASING	1
37	145-906-6	LINER CASING COVER	1
37	145-907-6	RELIEF VALVE SPINDLE	1
39	145-970-6	RELIEF VALVE	1
40	145-972-6	ACCUMULATOR	1

Index Number	Part Number	Description	Qty.
41	145-908-7	ACCUMULATOR COVER	1
42	194-742-0	OIL PLUG	1
43	145-327-6	ANVIL FRONT SPACER	1
44	150-064-5	PLUG	1
45	147-842-2	HANDLE COVER	1
46	145-840-6	BODY JACKET	1
47	145-924-6	NAME PLATE	1
47-1	145-924-7	NAME PLATE (ULT60D)	1
47-2	145-924-8	NAME PLATE (ULT60L)	1
47-3	145-924-9	NAME PLATE (ULT60DL)	1
48	930-205-0	PIN (NO.0X2.6)	1
49	944-002-0	SUPPORTING RING (2.6X4.5X1)	1
50	944-212-0	SUPPORTING RING (12X16X1.5)	1
51	944-217-0	SUPPORTING RING (14X20X1.8)	2
52	952-106-0	ALLEN HEAD DOG POINT SCREW (M4X6)	1
53	966-099-0	ALLEN HEAD PLUG (NPT 1/16)	1
54	970-013-0	PIN (H) (1.5X4)	1
55	970-130-0	PIN (H) (2.45X4.5)	2
56	970-131-0	PIN (H) (2.5X9.5)	2
57	971-102-0	PIN (2X3.8)	1
58	971-123-0	PIN (2X23)	1
59	973-008-0	ROLL PIN (2X8)	2
60	973-014-0	ROLL PIN (2X14)	1
61	973-040-0	ROLL PIN (1.5X5)	2
62	975-752-0	ADJUSTING SPACER (15X10XT)	1
63	976-006-0	SPRING (3X5)	1
64	976-457-0	SPRING (7X12)	1
65	976-792-0	SPRING (3.5X21) WPC	2
66	976-646-0	SPRING (4.5X9)	1
66-1	976-658-0	SPRING (4.4X9) ULT60L	1
66-2	976-659-0	SPRING (4.3X9) ULT60DL	1
67	976-650-0	SPRING (3.3X16)	1
67-1	976-661-0	SPRING (3.3X17) [WEAKER]	1
67-2	976-662-0	SPRING (3.3X18) [STRONGER]	1
68	976-657-0	SPRING (2.9X7.7)	1
68-1	976-667-0	SPRING (2.8X7.9) FOR ULT-60D	1
68-2	976-668-0	SPRING (2.8X7.8) FOR ULT-60L	1
68-3	976-673-0	SPRING (2.8X7.8) FOR ULT-60DL	1
69	976-665-0	SPRING (4.3X19)	1
70	976-653-0	SPRING (2.4X5)	1
71	981-001-0	BALL (3/32)	1
72	981-002-0	BALL (1/8)	1
73	981-003-0	BALL (5/32)	1
74	981-045-0	BALL (1.5)	9
75	981-150-0	BALL (3MM)	1
76	982-014-0	BALL BEARING (607)	1

Index Number	Part Number	Description	Qty.
77	982-902-0	BALL BEARING (6901)	1
78	990-320-0	O-RING (ARP568-003)	1
79	990-323-0	O-RING (ARP568-004)	1
80	990-327-0	O-RING (UW1530-18)	1
81	990-329-0	O-RING (UW1530-19)	1
82	990-337-0	O-RING (UW1530-27)	2
83	990-605-0	O-RING (25X1.45)	1
84	990-621-0	O-RING (3.8X1.8X1.0)	1
85	990-900-0	O-RING (SNS-2)	3
86	990-901-0	O-RING (SNS-3)	1
87	990-912-0	O-RING (SNS-14)	1
88	990-914-0	O-RING (SNS-16)	1
89	990-916-0	O-RING (SNS-18)	3
90	990-305-0	O-RING (ARP568-003)	1
91	992-020-0	O-RING (SU-Q12)	1
92	174-790-0	SUSPENSION RING	1

PARTS FOR ULT60D & 60DL			
93	145-350-7	DRIVER ANVIL	1
94	011-351-1	BIT SLEEVE	1
95	011-352-1	BIT SPACER	1
96	976-327-0	SPRING (1.3.5X11)	1
97	978-117-0	SNAP RING (11.7X1.0)	1
98	981-002-0	BALL (1/8)	1

PARTS FOR (TM)-TYPE			
99	851-016-1	HANDLE	1
100	851-017-1	VALVE COVER	1
101	851-018-1	VALVE SPACER	1
102	850-610-1	CONNECTING SCREW	1
103	909-442-0	QUICK EXHAUST (AQ240F-04-00)	1
104	929-050-0	COUPLING	1
105	935-240-0	NYLON TUBE (18NY)	1
106	935-350-0	POLYURETHANE HOSE (F1504)	1
107	953-108-0	ALLEN HEAD FLAT POINT SCREW (M4X8)	1
108	957-006-0	CROSS PAN HEAD SCREW (M3X6)	1
109	960-030-0	HEXAGON NUT (3-M4)	1
110	976-279-0	SPRING (2.5X8)	1
111	981-225-0	BALL (2.5mm)	1
112	990-916-0	O-RING (SNS-18)	1

ACCESSORIES			
113	939-091-0	ALLEN WRENCH (1.5mm)	1
114	939-105-0	ALLEN WRENCH (4mm)	1

### FOOTNOTES

When ordering spare parts, please specify tool type, part number and description.

10000 SE PINE, PORTLAND, OR 97216  
503-254-6600 FAX 503-255-2615

AIMCO also offers a complete line of standard & special adapters, bits, sockets and extensions.

