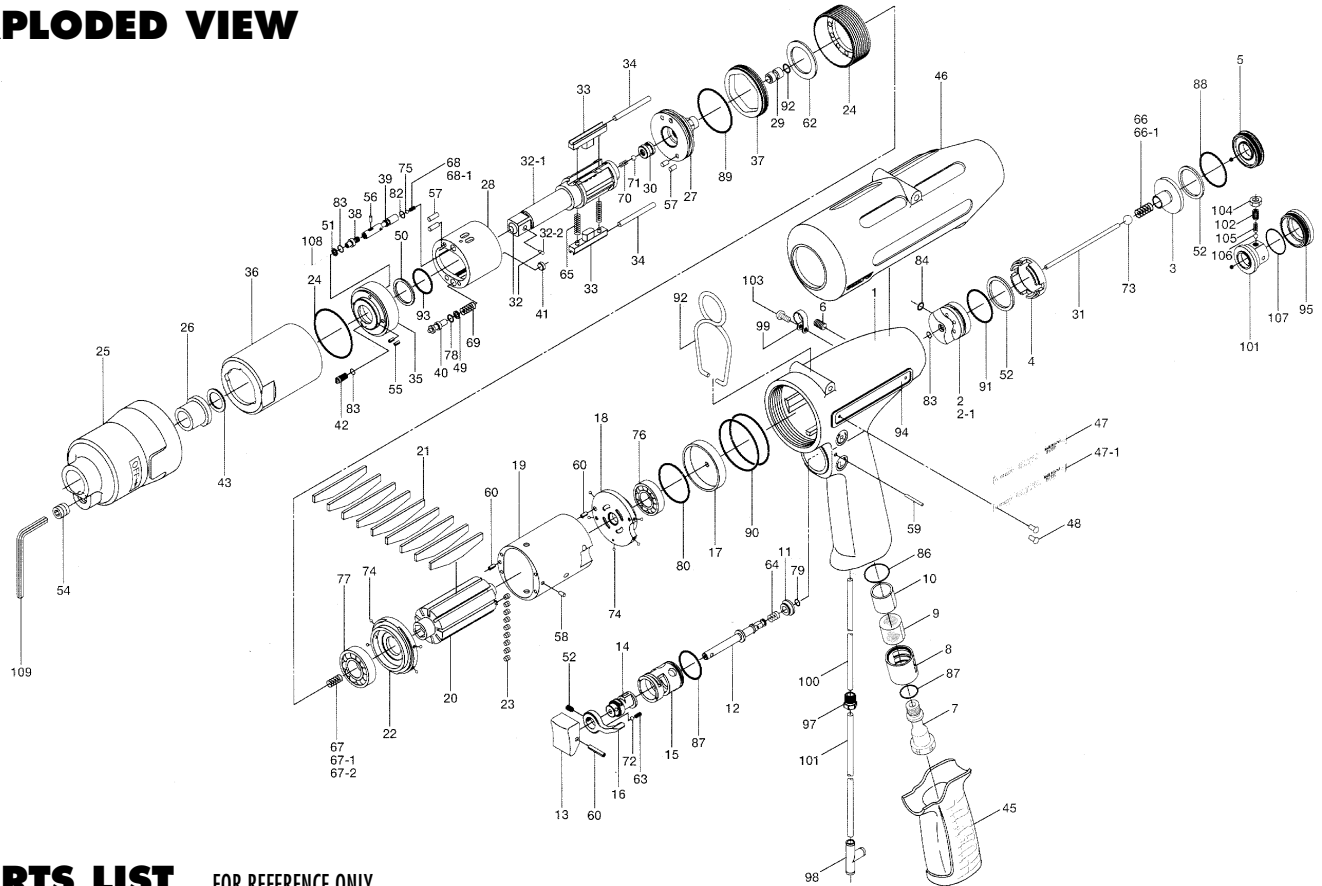


ULT70 SERIES OIL-PULSE WRENCHES

EXPLODED VIEW



PARTS LIST — FOR REFERENCE ONLY

Index Number	Part Number	Description	Qty.
1	147-025-6	HANDEL	1
2	147-253-6	SHUT-OFF VALVE BUSHING	1
2-1	147-253-7	SHUT-OFF VALVE BUSHING FOR ULT70L	1
3	147-254-6	SHUT-OFF VALVE	1
4	147-684-6	CUSHION SPACER	1
5	147-019-6	VALVE COVER	1
6	150-108-5	VALVE PLUG	1
7	147-091-2	AIR INLET BUSHING	1
8	147-780-3	EXHAUST DEFLECTOR	1
9	147-042-2	SILENCER	1
10	147-835-3	FILETR (K200)	1
11	147-100-2	VALVE	1
12	142-104-6	VALVE ROD	1
13	147-107-2	VALVE LEVER	1
14	147-210-2	REVERSE VALVE	1
15	147-211-2	REVERSE VALVE BUSHING	1
16	480-212-8	REVERSE LEVER	1
17	145-291-6	REAR PLATE SPACER	1
18	147-285-6	REAR PLATE	1
19	147-286-6	CYLINDER	1
20	891-470-1	ROTOR c/w PLUG	1
21	147-288-6	BLADE (PC)	9
22	147-289-6	FRONT PLATE	1
23	147-064-6	PLUG	9
24	147-036-6	HAMMER CASING CONNECTOR	1
25	147-439-6	FRONT CASING	1
26	190-328-6	ANVIL BUSHING	1
27	147-901-6	REAR LINER PLATE	1
28	147-902-6	LINER	1
29	145-546-6	PISTON	1
30	145-929-6	CHECK VALVE COVER	1
31	147-130-6	OPERATING ROD (2.1 X 60.5)	1
32	891-550-1	ANVIL CP (P)	1
32-1	147-319-6	ANVIL (O)	1
32-2	891-300-1	SOCKET PIN ASSEMBLY (3/8)	1
33	147-440-6	DRIVING BLADE	2
34	147-974-6	ROLLER 2.5X28	2
35	147-904-6	FRONT LINER PLATE	1
36	147-905-6	LINER CASING	1
37	147-906-6	LINER CASING COVER	1
38	174-907-2	RELIEF VALVE SPINDLE	1

Index Number	Part Number	Description	Qty.
39	151-970-5	RELIEF VALVE	1
40	145-972-6	ACCUMULATOR	1
41	145-908-7	ACCUMULATOR PLUG	1
42	194-742-0	OIL PLUG	1
43	178-327-9	ANVIL FRONT SPACER	1
44	174-790-0	SUSPENSION RING	1
45	147-842-2	HANDLE COVER	1
46	147-840-6	BODY JACKET	1
47	147-924-6	NAME PLATE	1
47-1	147-924-7	NAME PLATE FOR ULT70L	1
48	930-205-0	PIN (NO. 0 X 2.6)	2
49	944-002-0	SUPPORTING RING (2.6X4.5X1)	1
50	944-013-0	SUPPORTING RING (P-12)	1
51	944-203-0	SUPPORTING RING (3.1X5X1)	1
52	944-220-0	SUPPORT RING (16X22.5X1.5)	2
53	952-106-0	ALLEN HEAD DOG POINT SCREW (M4X6)	1
54	966-099-0	ALLEN HEAD PLUG (NPT1/16)	1
55	969-449-0	PIN (G) (3X6)	1
56	970-013-0	PIN (H) (1.5X4)	1
57	970-204-0	PIN (H) (3X6)	4
58	971-102-0	PIN (2X3.8)	1
59	971-123-0	PIN (2X2.3)	1
60	973-008-0	ROLL PIN (2X8)	2
61	973-014-0	ROLL PIN (2X14)	1
62	975-754-0	ADJUSTING SPACER (17X12.5X1)	1
63	976-006-0	SPRING (3X5)	1
64	976-457-0	SPRING (7X12)(0.9)	1
65	976-788-0	SPRING (3.5X25)(0.45)WPC	2
66	976-646-0	Spring (4.5X9)	1
66-1	976-647-0	SPRING (4.3 X 9) FOR ULT70L	1
67	976-650-0	SPRING (3.3X16)[STANDARD]	1
67-1	976-661-0	SPRING (3.3X17)[WEAKER]	1
67-2	976-662-0	SPRING(3.3X18)[STRONGER]	1
68	976-676-0	SPRING 2.7X7.4(0.4)	1
68-1	976-677-0	SPRING (2.8X7) FOR ULT70L	1
69	976-666-0	SPRING 4.3X23(0.55)	1
70	976-645-0	SPRING (2.4X5)	1
71	981-001-0	BALL (3/32)	1
72	981-002-0	BALL (1/8)	1
73	981-003-0	BALL (5/32)	1

Index Number	Part Number	Description	Qty.
74	981-045-0	BALL (1.5)	9
75	981-150-0	BALL (3MM)	1
76	982-014-0	BALL BEARING (607)	1
77	982-902-0	BALL BEARING (6901)	1
78	990-320-0	O-RING (ARP568-003)	1
79	990-323-0	O-RING (ARP568-004)	1
80	990-327-0	O-RING (JW1530-18)	1
81	990-334-0	O-RING (JW1530-24)	1
82	990-621-0	O-RING (3.8X1.8X1.0)	1
83	990-900-0	O-RING (SNS-2)	3
84	990-901-0	O-RING (SNS-3)	1
85	990-912-0	O-RING (SNS-14)	1
86	990-914-0	O-RING (SNS-16)	1
87	990-916-0	O-RING (SNS-18)	1
88	990-918-0	O-RING (SNS-20)	1
89	990-923-0	O-RING (SNS-26)	1
90	990-929-0	O-RING (SNS-36)	1
91	990-979-0	O-RING SNS-20	1
92	990-305-0	O-RING (ARP568-003)	1
93	992-020-0	O-RING(SU-Q12)	1

PARTS FOR (TM)-TYPE

94	851-006-1	HANDLE	1
95	851-007-1	VALVE COVER	1
96	851-008-1	VALVE SPACER	1
97	850-610-1	CONNECTING SCREW	1
98	909-442-0	QUICK EXHAUST (AQ240F-04-00)	1
99	929-050-0	COUPLING	1
100	935-240-0	NYLON TUBE (18NY)	1
101	935-350-0	POLYURETHANE HOSE (F1504)	1
102	953-108-0	ALLEN HEAD FLAT POINT SCREW (M4X8)	1
103	957-006-0	CROSS PAN HEAD SCREW (M3X6)	1
104	960-030-0	HEXAGON NUT (3-M4)	1
105	976-279-0	SPRING (2.5X8)	1
106	981-225-0	BALL (2.5MM)	1
107	990-918-0	O-RING (SNS-20)	1

ACCESSORIES

108	939-091-0	ALLEN HEAD WRENCH (1.5)	1
109	939-105-0	ALLEN HEAD WRENCH (4)	1

FOOTNOTES

AIMCO also offers a complete line of standard & special adapters, bits, sockets and extensions.



When ordering spare parts, please specify tool type, part number and description.

10000 SE PINE, PORTLAND, OR 97216
503-254-6600 FAX 503-255-2615