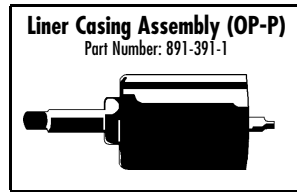
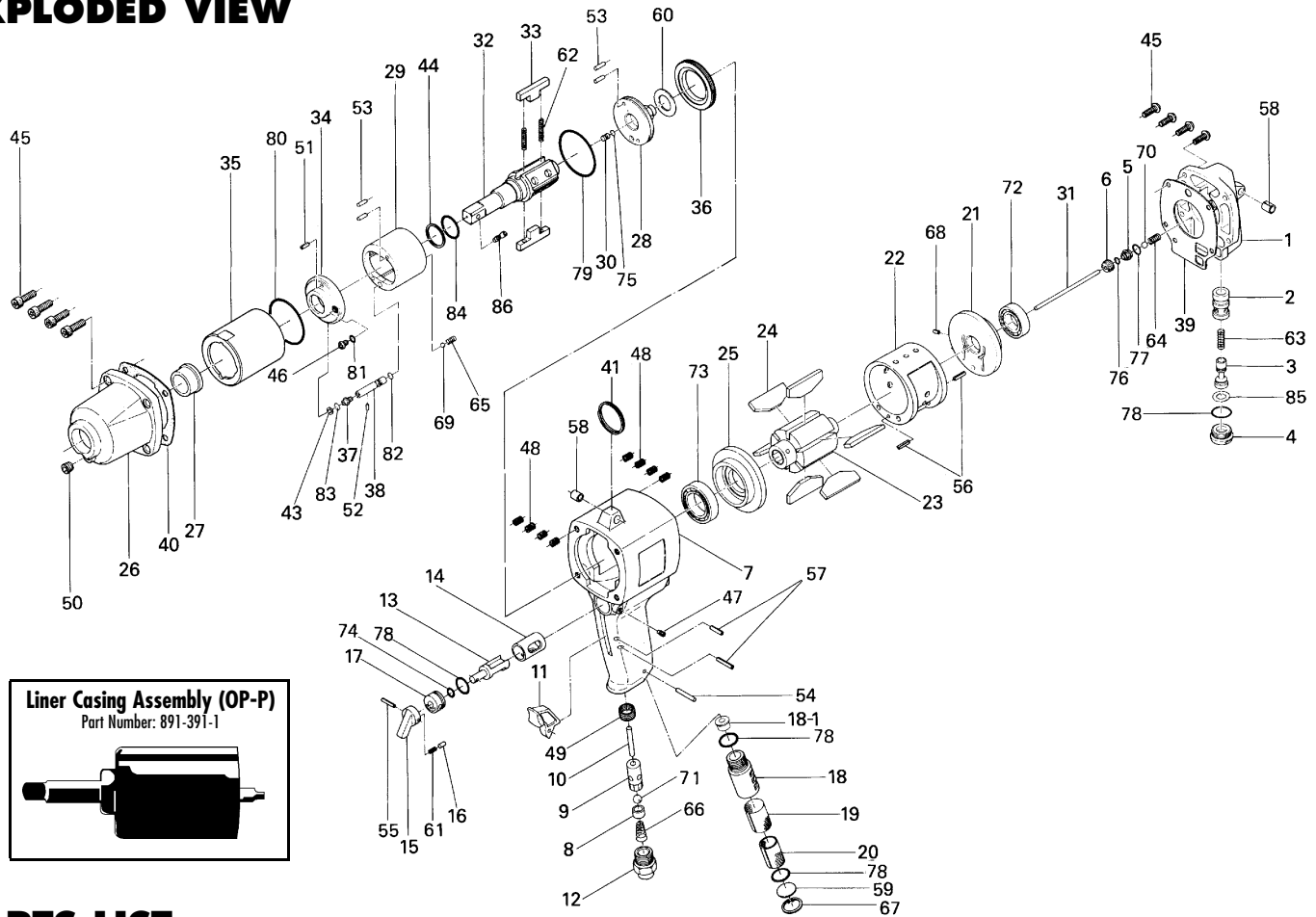


UX-T800 OIL-PULSE TOOLS [TORQUE CONTROL]

EXPLODED VIEW



PARTS LIST — FOR REFERENCE ONLY

Index Number	Part Number	Description	Qty.	Index Number	Part Number	Description	Qty.	Index Number	Part Number	Description	Qty.
1	167-012-4	Head Cover	1	31	167-130-4	Piston Rod	1	63	976-072-0	Spring (4.5 x 10.5)	1
2	174-252-2	Shut-Off Valve Bushing	1	32	891-310-1	Anvil (OP-P)	1	64	976-275-0	Spring (6.7 x 12)	1
3	174-254-2	Shut-Off Valve	1	33	194-440-2	Driving Blade	2	65	977-008-0	Cone Spring (3.2 x 3.8 x 7)	1
4	175-927-9	Shut-Off Valve Cover	1	34	167-904-4	Front Liner Plate	1	66	977-175-0	Cone Spring (7.5 x 10.3 x 22)	1
5	175-968-9	Pilot Valve Retainer	1	35	194-905-2	Liner Casing	1	67	979-318-0	Inner Snap Ring (RTW-18)	1
6	175-019-9	Valve Cover	1	36	194-906-2	Liner Casing Setter	1	68	980-008-0	Round Head Notch (2.4)	1
7	167-025-4	Handle	1	37	175-907-9	Relief Valve Spindle	1	69	981-002-0	Ball (1/8)	1
8	186-100-1	Valve	1	38	167-970-4	Relief Valve	1	70	981-006-0	Ball (1/4)	1
9	063-102-3	Valve Bushing	1	39	167-853-4	Head Cover Packing	1	71	981-208-0	Ball (5/16) Black	1
10	193-104-6	Valve Rod	1	40	194-867-2	Front Packing	1	72	982-403-0	Ball Bearing (EE-4)	1
11	187-107-1	Throttle Trigger	1	41	004-790-2	Suspension Ring	1	73	982-950-0	Ball Bearing (16002)	1
12	185-091-7	Air Inlet Bushing	1	43	944-205-0	Back-Up Ring (5.1 x 7 x 1)	1	74	990-205-0	O-Ring (JW1516-5)	1
13	187-210-1	Reverse Valve	1	44	944-214-0	Supporting Ring (12 x 15.9 x 1.5)	1	75	990-320-0	O-Ring (APR568-003)	1
14	185-211-1	Reverse Valve Bushing	1	45	945-117-0	Allen Head Bolt (M5 x 16)	8	76	990-901-0	O-Ring (SNS-3)	1
15	023-212-4	Reverse Lever	1	46	945-942-0	Hexagon Round Head Bolt (M4 x 6)	1	77	990-907-0	O-Ring (SNS-9)	1
16	054-220-1	Reverse Valve Notch	1	47	952-108-0	Allen Head Dog Point Screw (M4 x 8)	1	78	990-914-0	O-Ring (SNS-16)	4
17	187-222-1	Reverse Valve Setter	1	48	965-011-0	Heli-Sert (M5 x 1.5D)	8	79	990-924-0	O-Ring (SNS-30)	1
18	194-780-4	Exhaust Stack	1	49	965-073-0	Heli-Sert (UNF5/8) (N6)	1	80	990-337-0	O-Ring (JW1530-27)	1
18-1	194-781-2	Exhaust Stack Bushing	1	50	966-100-0	Allen Head Plug (1/8)	1	81	990-971-0	O-Ring (SNS-3) (NOK)	1
19	194-042-4	Silencer	1	51	969-450-0	Pin (G) (3 x 8)	1	82	990-970-0	O-Ring (SNS-2) (NOK)	1
20	194-835-4	Filter	1	52	970-093-0	Pin (H) (2 x 6)	1	83	990-972-0	O-Ring (SNS-4) (NOK)	1
21	026-285-7	Rear Plate	1	53	970-206-0	Pin (H) (3 x 8)	4	84	995-512-0	Teflon Seal (P12)	1
22	026-286-7	Cylinder	1	54	971-162-0	Pin (2.5 x 22)	1	85	996-418-0	Packing (15 x 9 x 1)	1
23	167-287-4	Rotor	1	55	973-016-0	Roll Pin (2 x 16)	1	86	891-300-1	Socket Pin Assembly (3/8)	1
24	167-288-5	Rotor Blade (G K)	6	56	973-110-0	Roll Pin (3 x 10)	2				
25	194-289-2	Front Plate	1	57	973-114-0	Roll Pin (3 x 14)	2				
26	194-439-2	Front Casing	1	58	973-340-0	Roll Pin (6 x 10)	2				
27	185-328-2	Anvil Bushing	1	59	975-598-0	Round Plate (18 x 1)	1				
28	167-901-4	Rear Liner Plate	1	60	975-780-0	Adjusting Spacer (21 x 13 x T)	1				
29	167-902-4	Liner	1	61	976-025-0	Spring (3 x 8.5)	1				
30	175-546-9	Piston	1	62	976-793-0	Spring (3.7 x 29) (0.5) WPC	2				

ACCESSORIES

88	939-104-0	Allen Wrench (5mm)	1
89	939-091-0	Allen Wrench (1.5mm)	1

AIMCO also offers a complete line of standard & special adapters, bits, sockets and extensions.

FOOTNOTES

× = 167-004-4 Handle Assembly Components



When ordering spare parts, please specify tool type, part number and description.

10000 SE PINE, PORTLAND, OR 97216
503-254-6600 FAX 503-255-2615