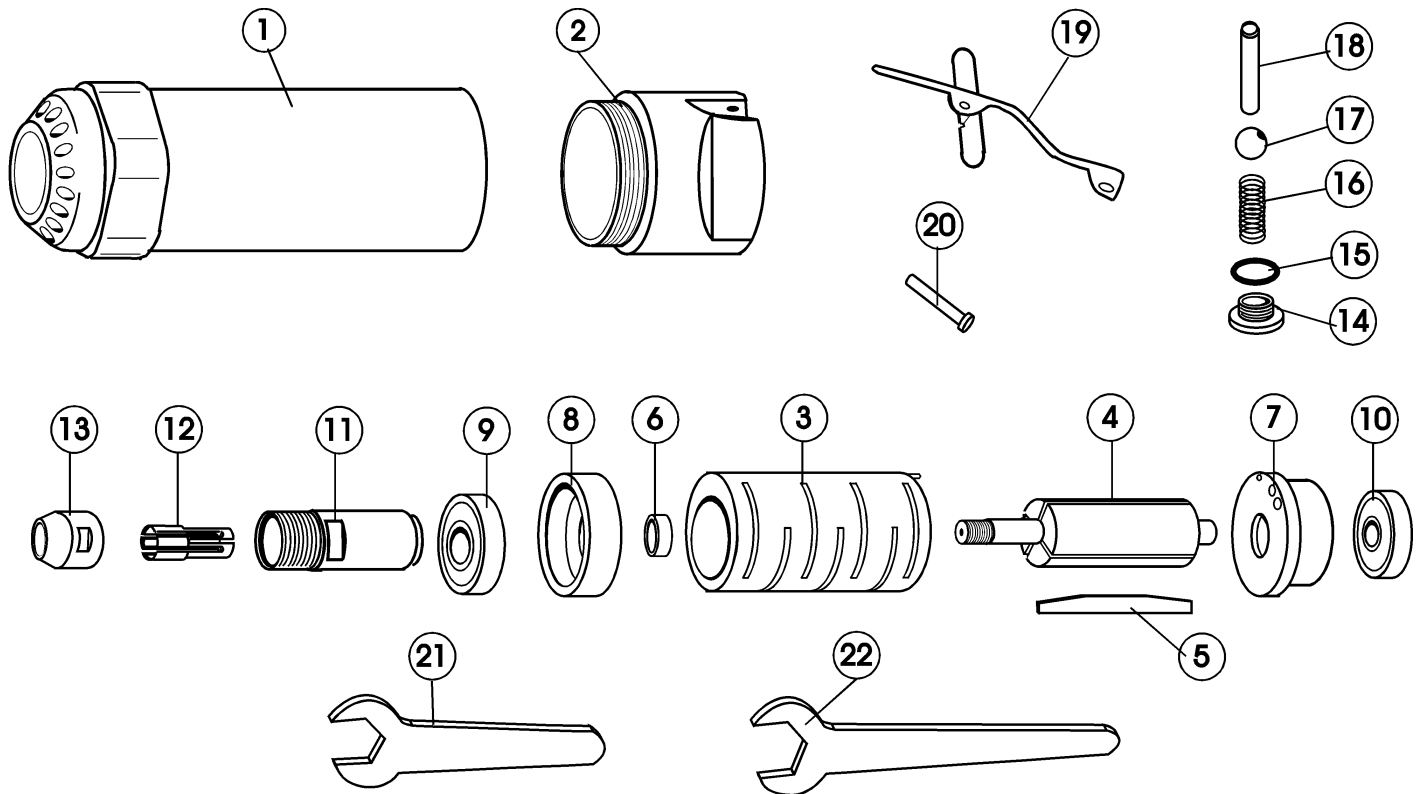


P25 DIE GRINDER

EXPLODED VIEW ONLY



PARTS LIST – FOR REFERENCE ONLY

Index Number	Part Number	Description	Qty.	Index Number	Part Number	Description	Qty.	Index Number	Part Number	Description	Qty.
1	A850	Body	1	8	A855	Front Bearing Housing	1	16	A096	Spring	1
2	A851	Throttle Housing	1	9	A605	Front Bearing	1	17	A248	Valve Ball	1
3	A852	Cylinder	1	10	A098	Rear Bearing	1	18	A095	Valve Stem	1
4	A853	Rotor	1	11	A093	Chuck	1	19	A650	Safety Lever	1
5	A094	Vanes	5	12	A500	Collet	1	20	A141	Lever Pin	1
6	A092	Spacer	1	13	A608	Cap Nut	1	21	A611	Chuck Spanner	1
7	A854	Rear Bearing Housing	1	14	A097	Throttle Plug	1	22	A612	Cap Nut Spanner	1
				15	A247	O-Ring	1		A543	Stripping Kit	1

TECHNICAL DATA

	RPM Free Speed	M ³ /Min Max Air Flow	kg Weight	dB(A) Sound Pressure Level	m/s ² Vibration Value
P25	25,000	.63	.65	<85	<2.5

FOOTNOTES

When ordering spare parts, please specify tool type, part number and description

10000 SE PINE, PORTLAND, OR 97216
503-254-1749 FAX 503-256-4026

REVISED 10/99

